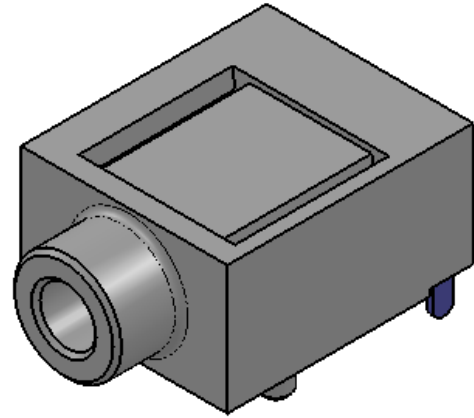
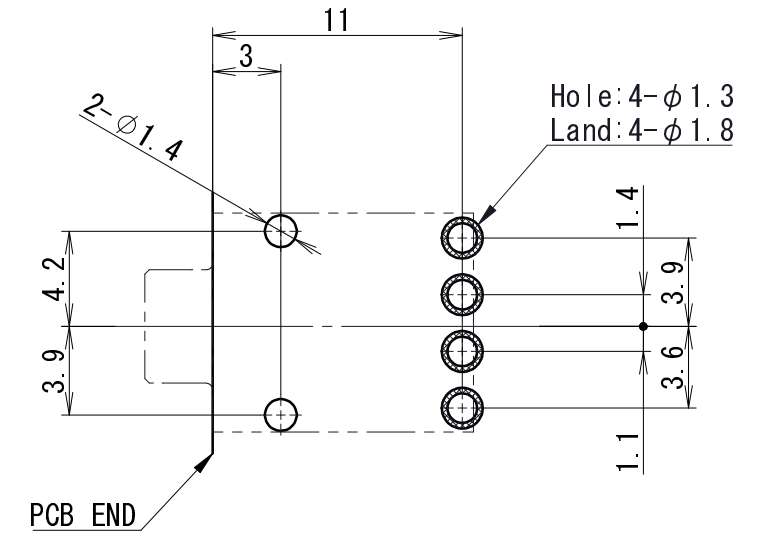
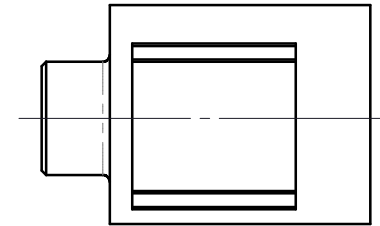


## 2.5 DIA Miniature Waterproof Jack

(02-530) Series

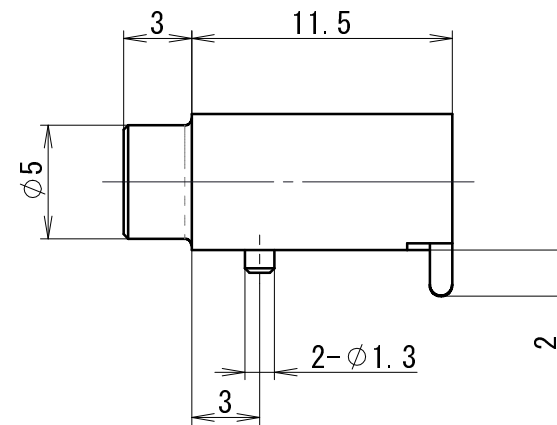
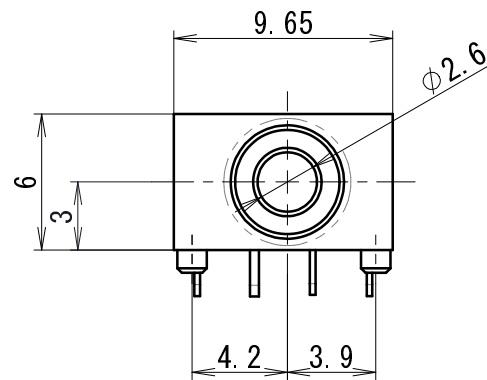


02-530B1-31BKA



PCB Layout  
(Top View)

※The back same dimension



Part No.	02-530A1-30BKA	02-530B1-31BKA
Schematic		