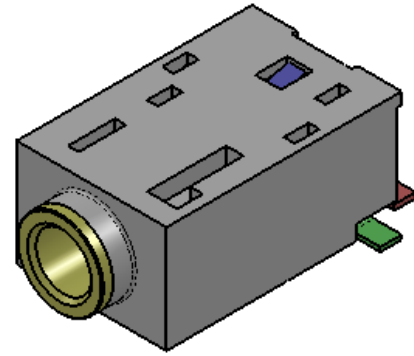
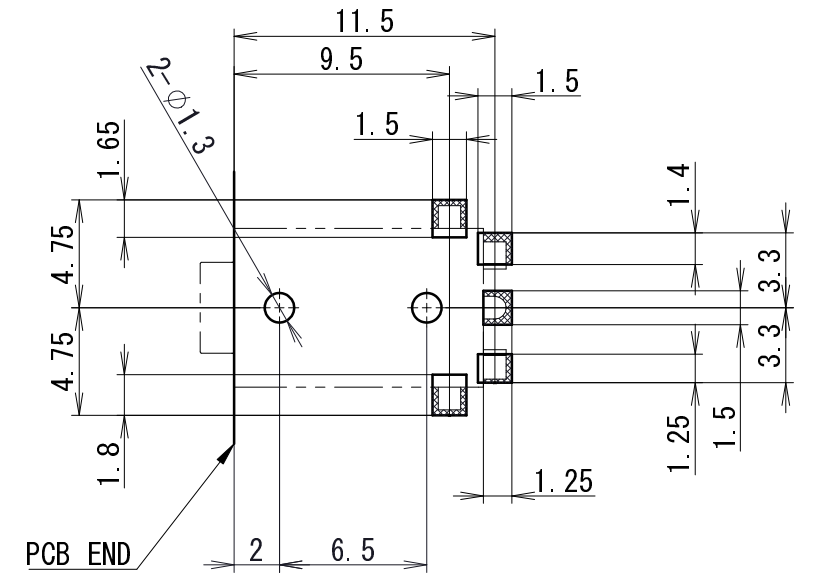
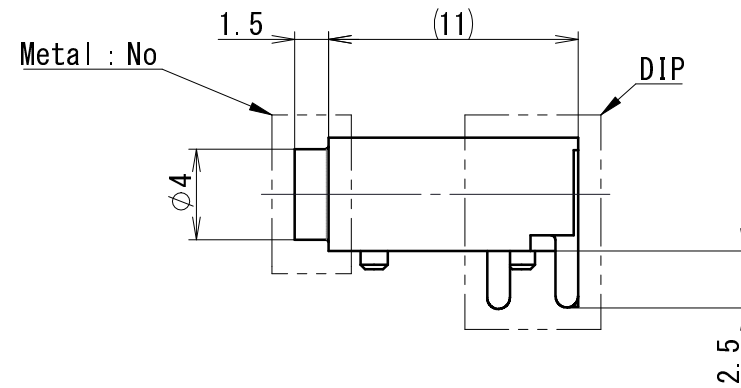
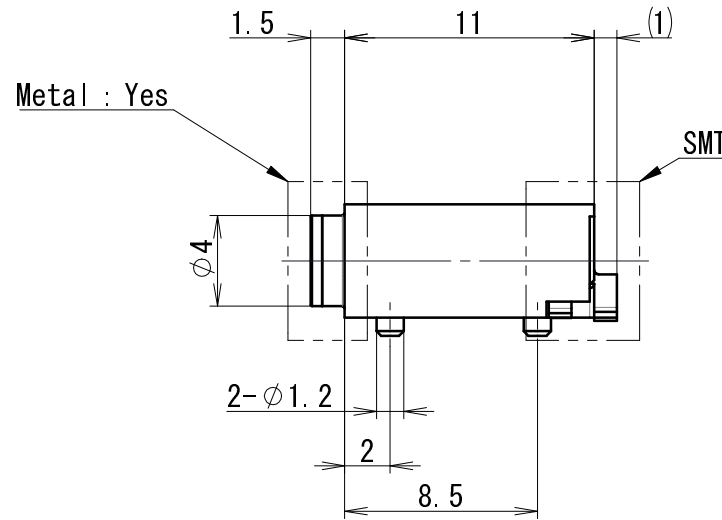
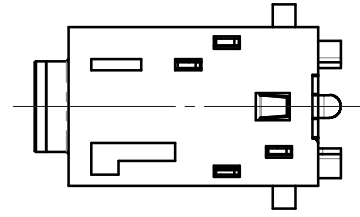
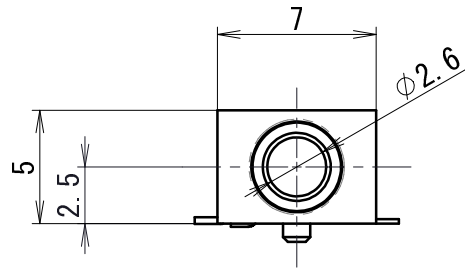


2.5 DIA Miniature Jack

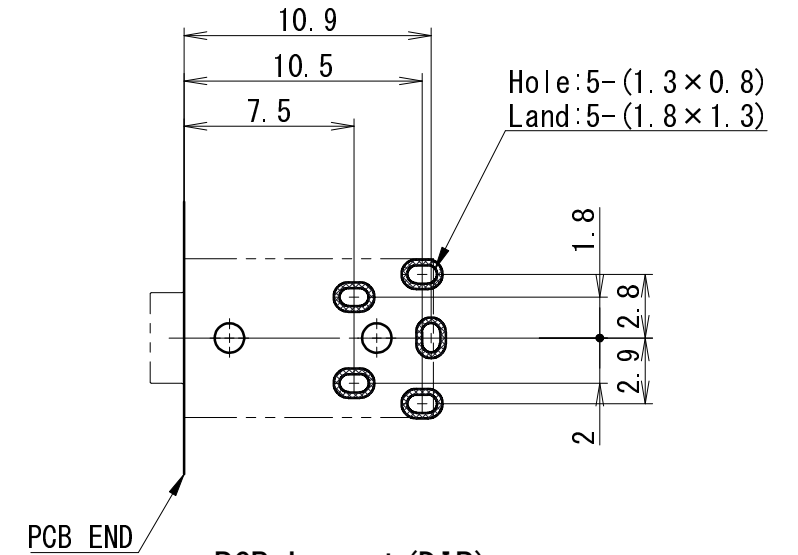
(02-641) Series



02-641A1-33BKA



PCB Layout (SMT)
(Top View)



PCB Layout (DIP)
(Top View)
※The back same dimension

Part No.	02-641A1-33BKA	02-641E2-33BKA	02-641F1-33BKA	02-641N1-02BKA	02-641R0-33BKA
Schematic					
Mounting style	SMT	DIP	DIP	DIP	SMT
Metal	Yes	Yes	No	No	No