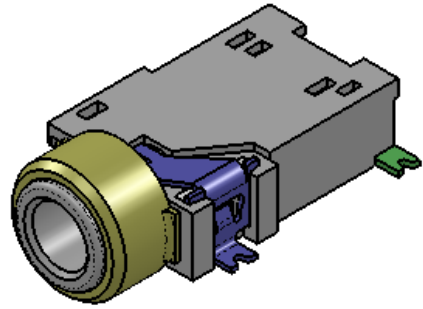
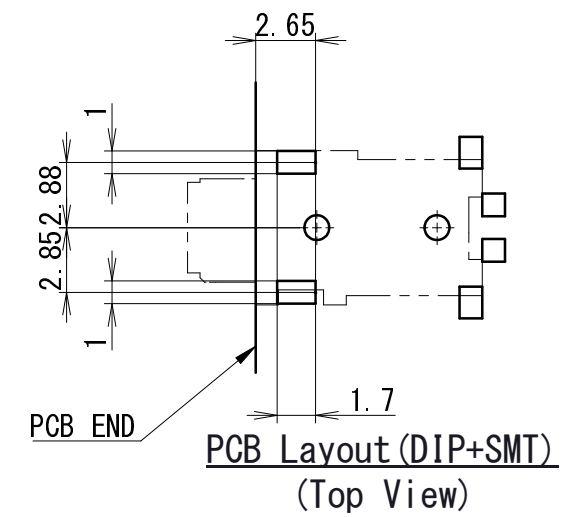
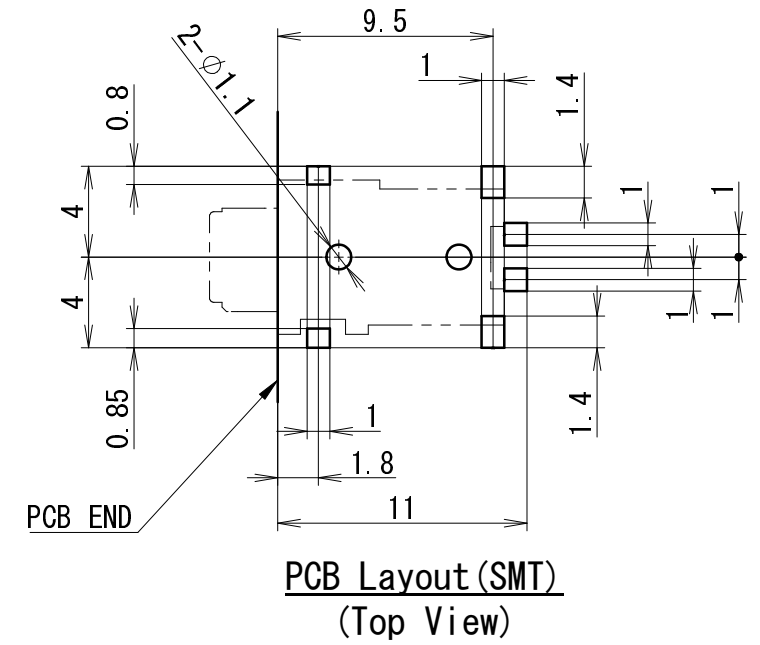
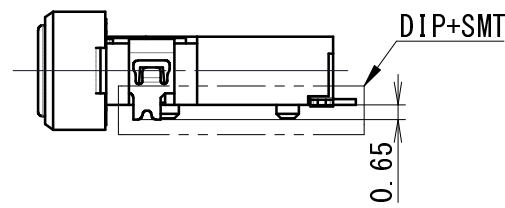
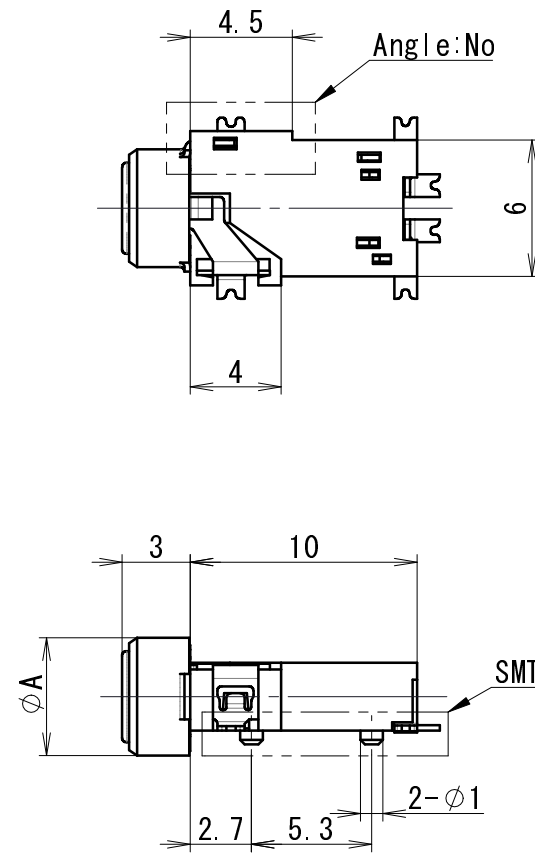
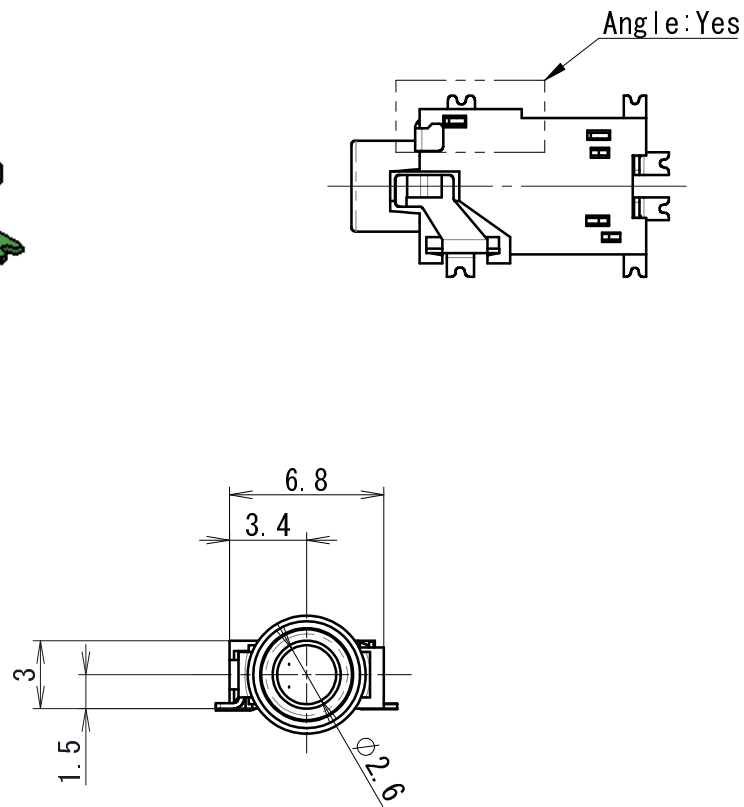


2.5 DIA Miniature Jack

(02-828) Series



02-828A0-53BKA



Part No.	02-828A0-53BKA	02-828C0-53BKA	02-828Q0-33BKA
Schematic			
Mounting style	SMT	DIP+SMT	SMT
φA	5.2	5.2	4
Angle	No	No	Yes