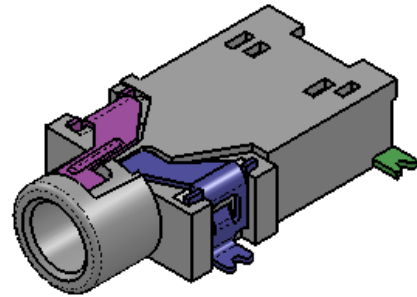
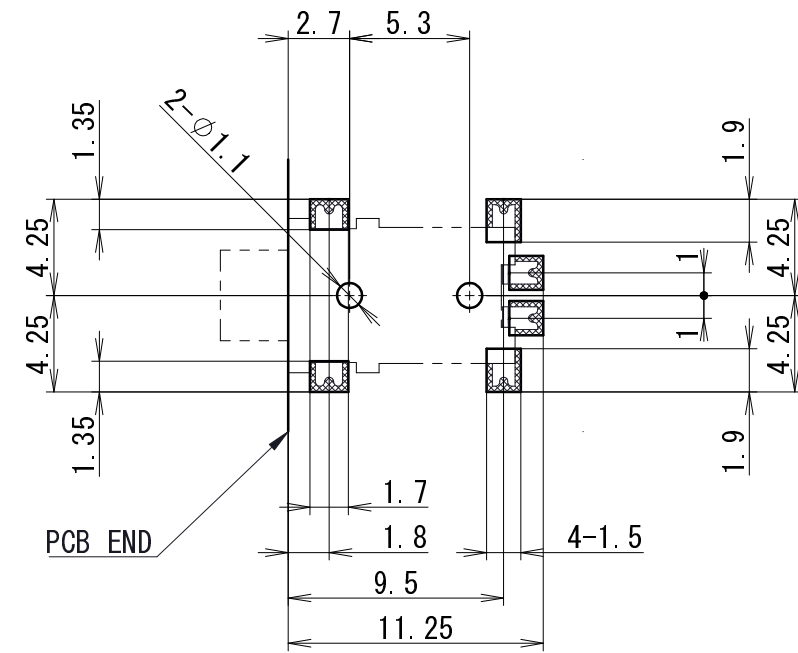
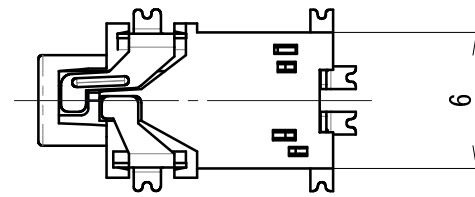


# 2.5 DIA Miniature Jack

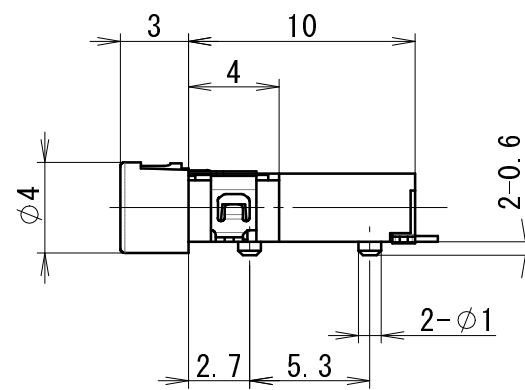
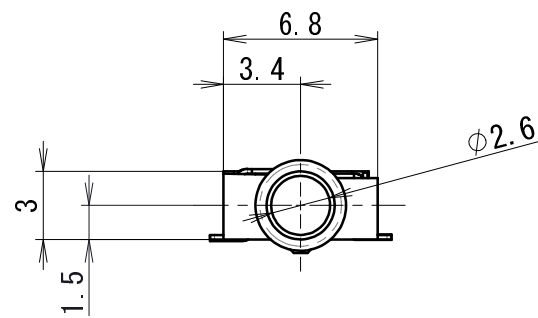
(02-909) Series



02-909A0-66BKY



PCB Layout (SMT)  
(Top View)



Part No.	02-909A0-66BKY
Schematic	
Mounting style	SMD