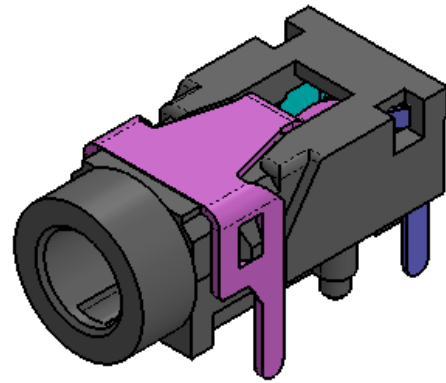
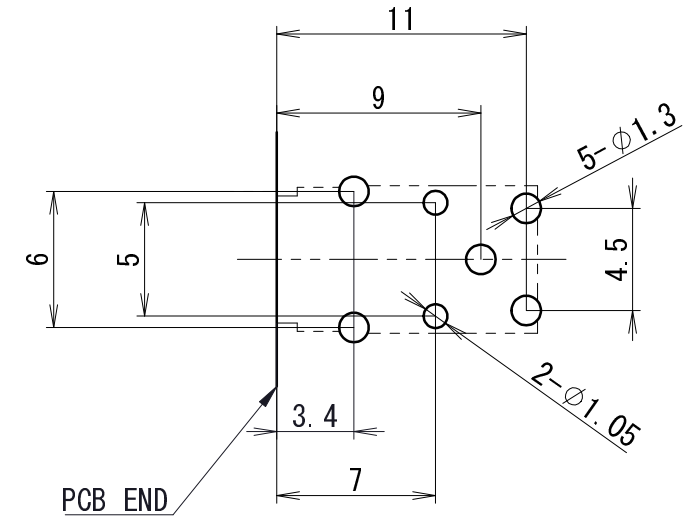
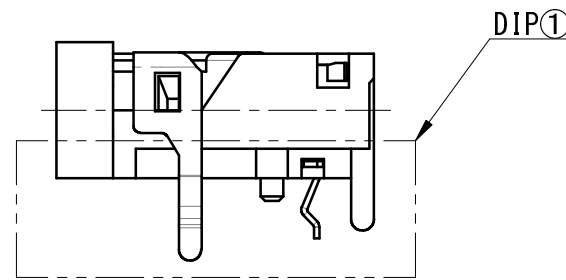
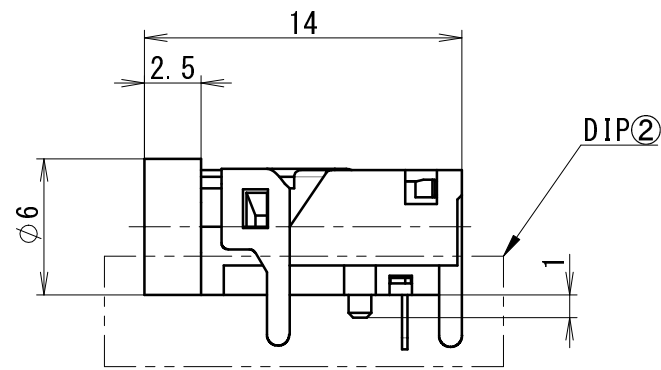
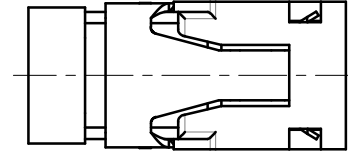
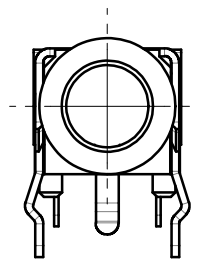
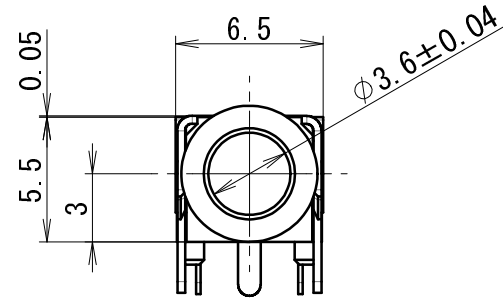


3.5 DIA Miniature Jack

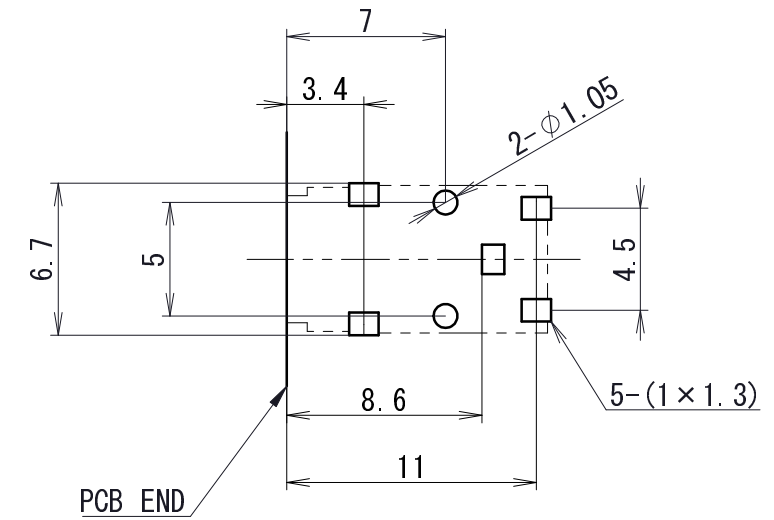
(03-766) Series



03-766D0-59BKA



PCB Layout (DIP②)
(Top View)
※The back same dimension



PCB Layout (DIP①)
(Top View)
※The back same dimension

Part No.	03-766B2-32BKA	03-766D0-59BKA
Schematic		
Mounting style	DIP①	DIP②