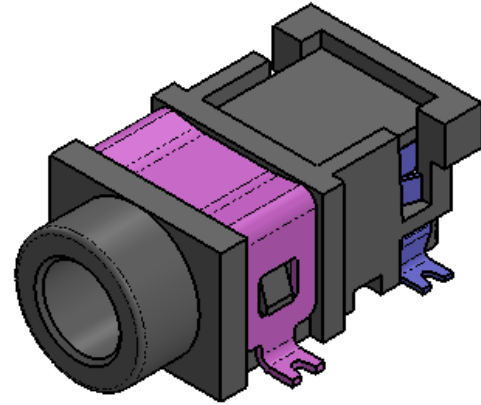
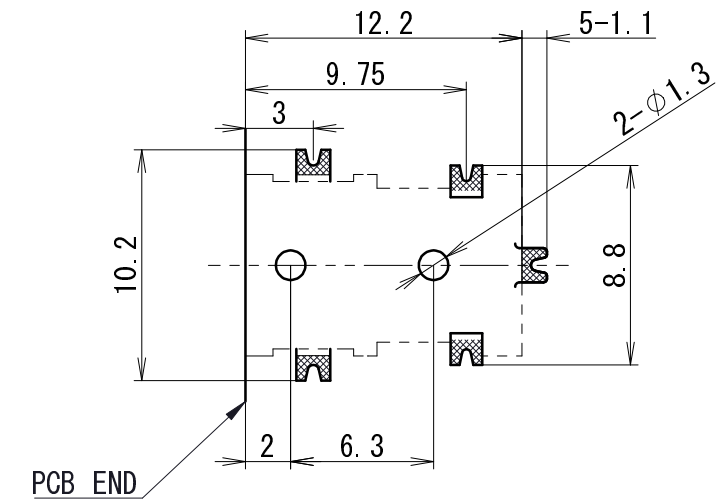
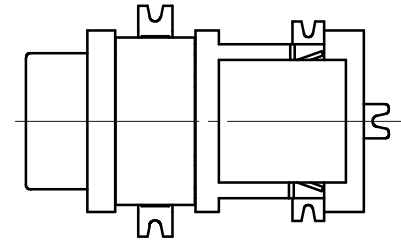


3.5 DIA Miniature Jack

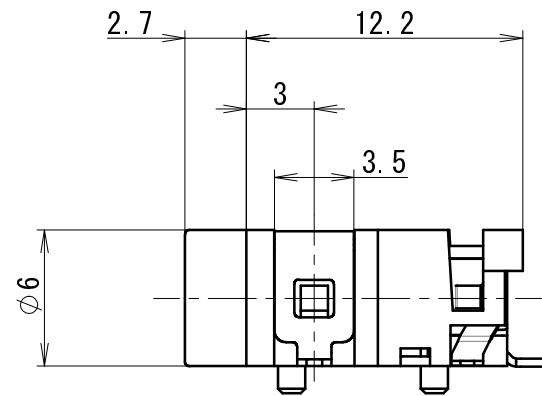
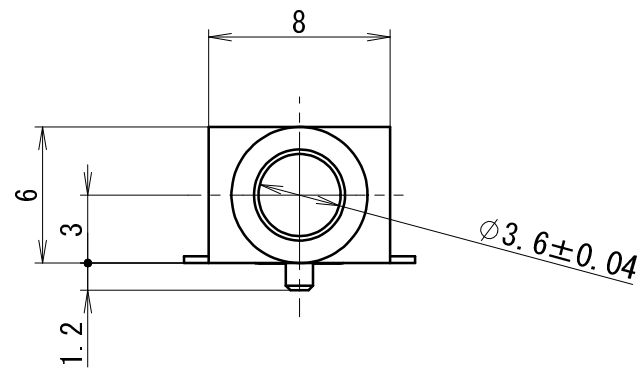
(03-772) Series



03-772C0-30BKA



PCB Layout
(Top View)



Part No.	03-772C0-30BKA
Schematic	