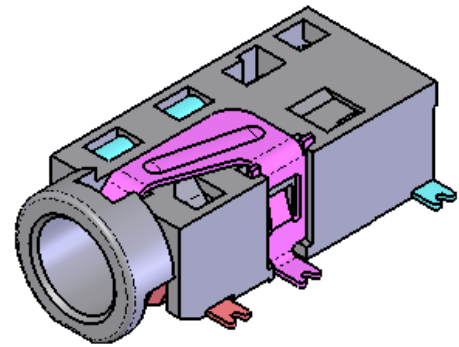
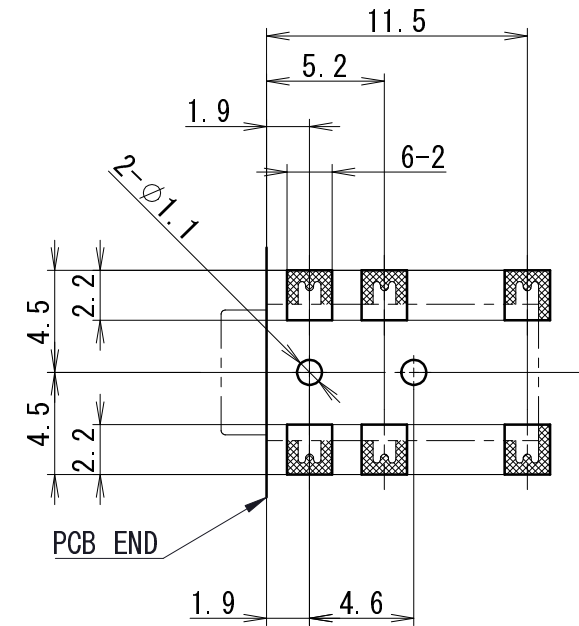
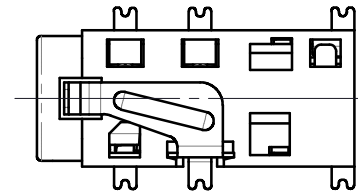


3.5 DIA Miniature Jack

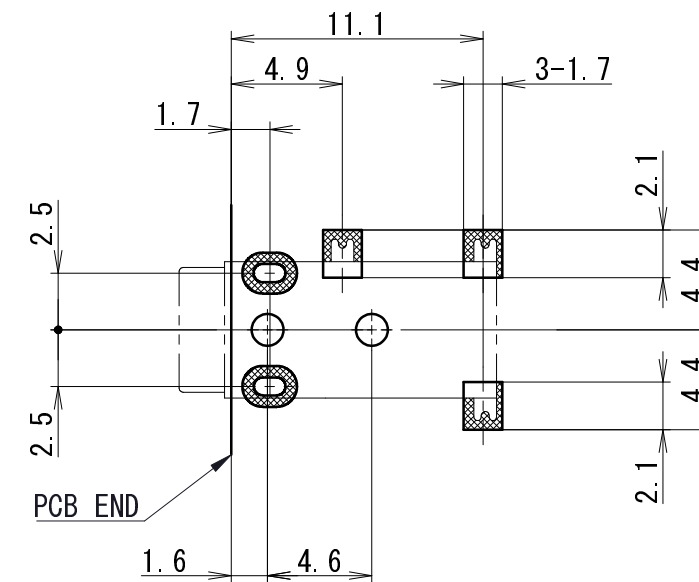
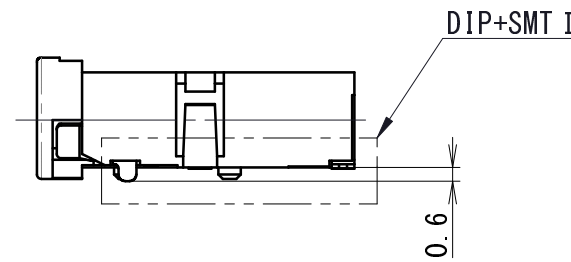
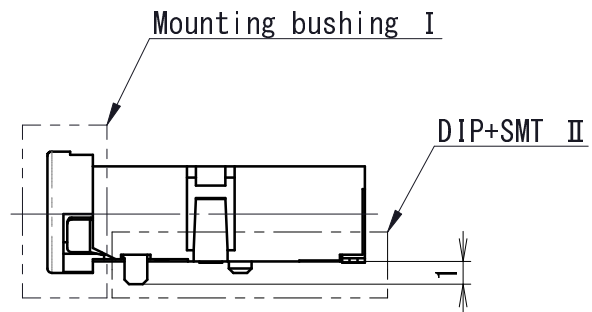
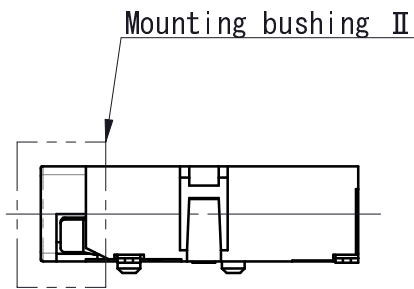
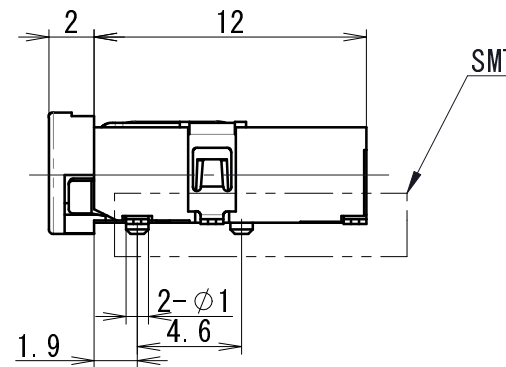
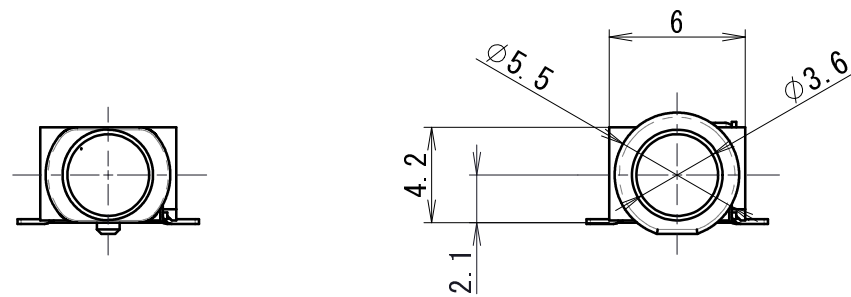
(03-935) Series



03-935A1-71BKA



PCB Layout (SMT)
(Top View)



PCB Layout (DIP+SMT)
(Top View)

※The back same dimension

Part No.	03-935A1-71BKA	03-935C1-72BKA	03-935G1-72BKA	03-935J1-72GLA	03-935Q1-72GLA	03-935S0-72WTA
Schematic						
Mounting style	SMT	DIP+SMT I	DIP+SMT II	SMT	SMT	SMT
Mounting bushing	I	I	I	I	I	II