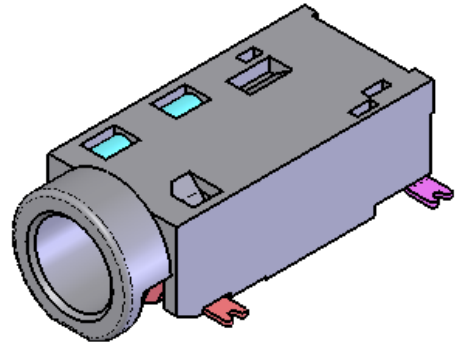
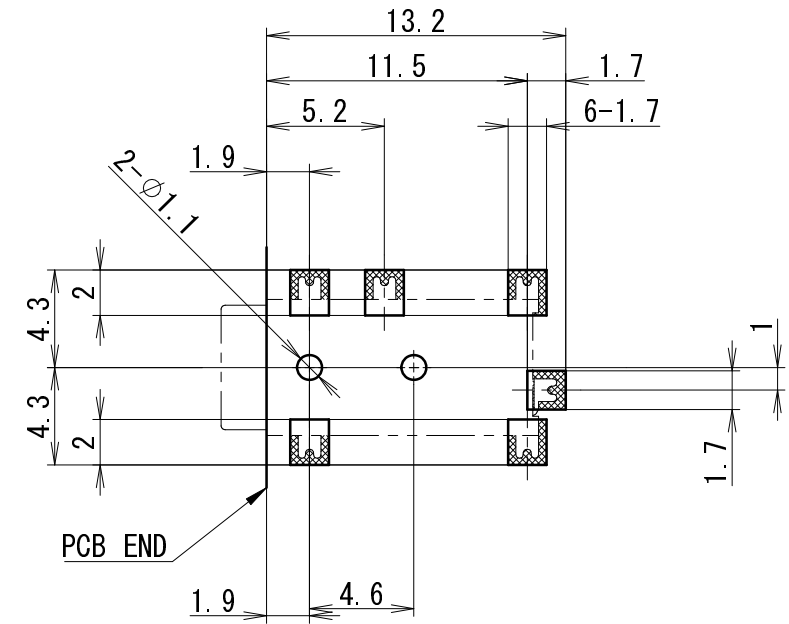
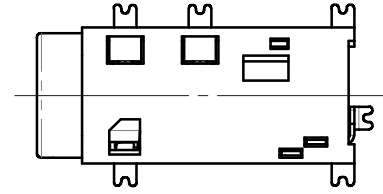


3.5 DIA Miniature Jack

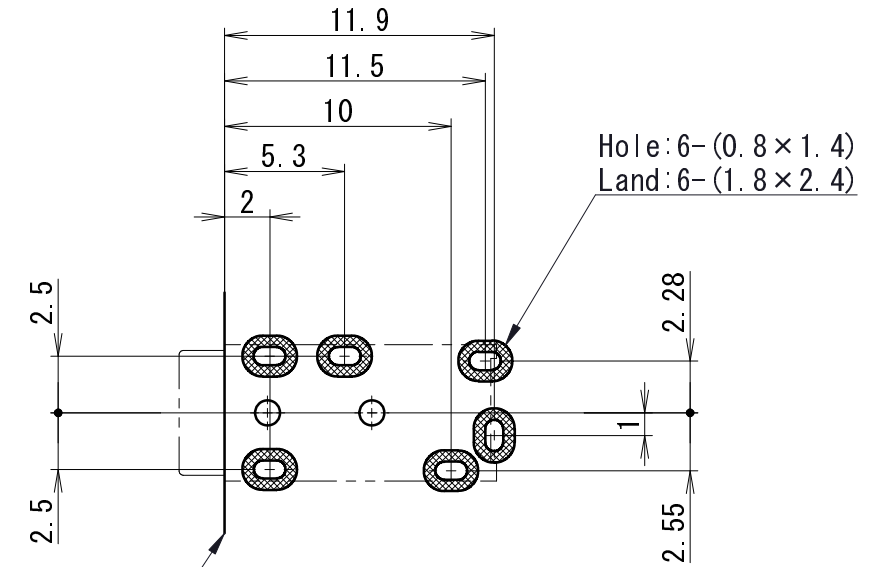
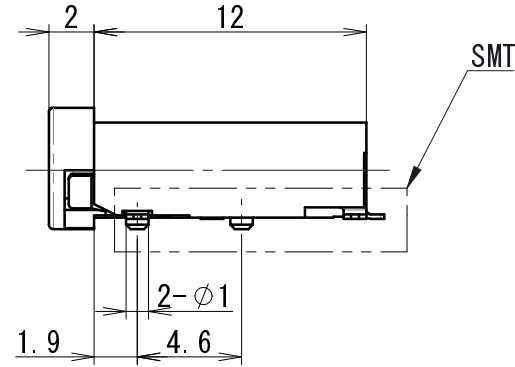
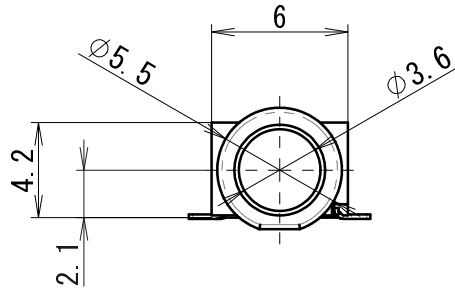
(03-960) Series



03-960G1-73BKA

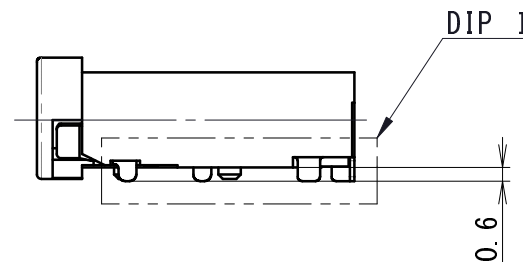
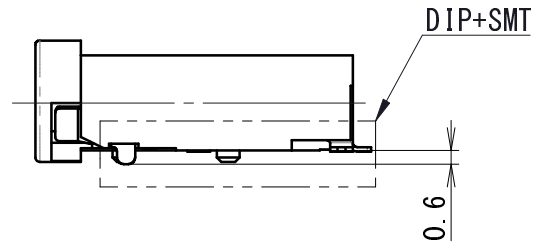
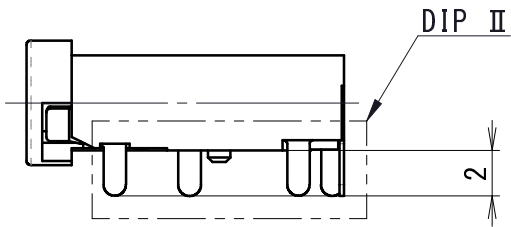


PCB Layout (SMT)
(Top View)



PCB Layout (DIP)
(Top View)

※The back same dimension



Part No.	03-960A1-73BKA	03-960C1-73BKA	03-960E1-73BKA	03-960G1-73BKA	03-960N1-73BKA	03-960S0-73BKA	03-960U1-73BKA
Schematic							
Mounting style	DIP I	DIP+SMT	DIP+SMT	SMT	DIP I	SMT	DIP II