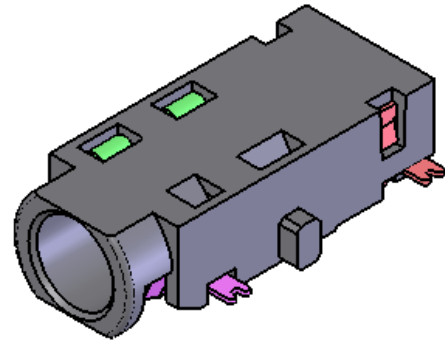
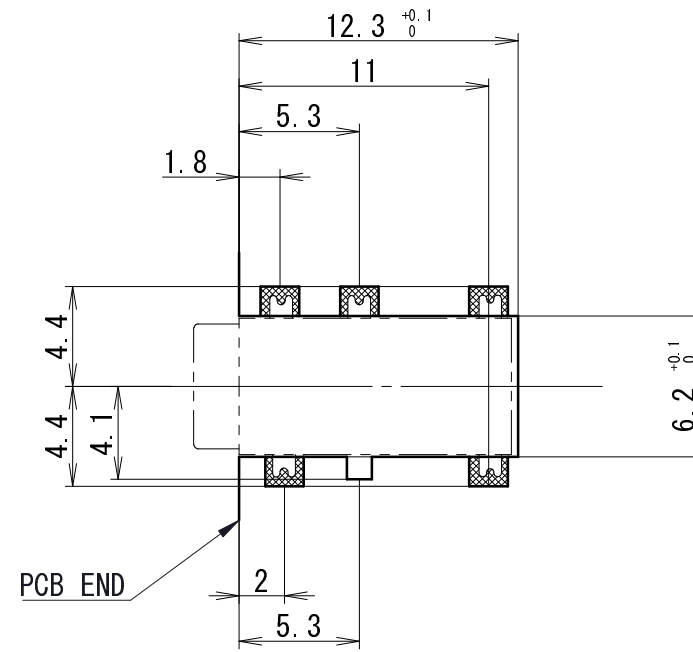
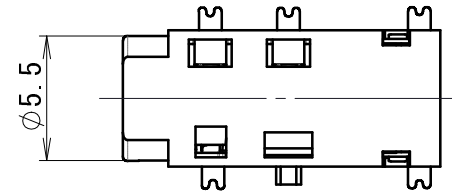


3.5 DIA Miniature Jack

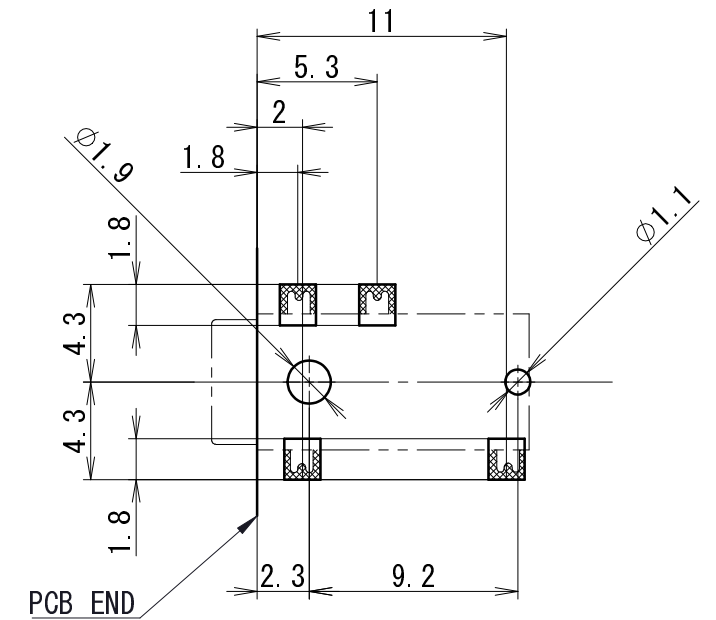
(03-992) Series



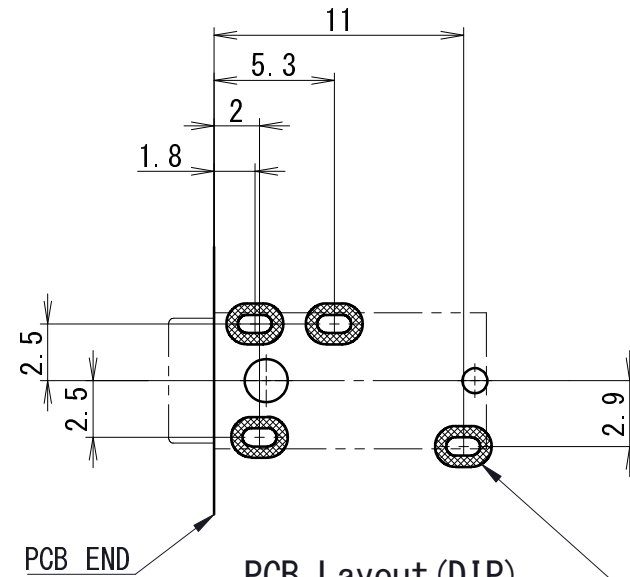
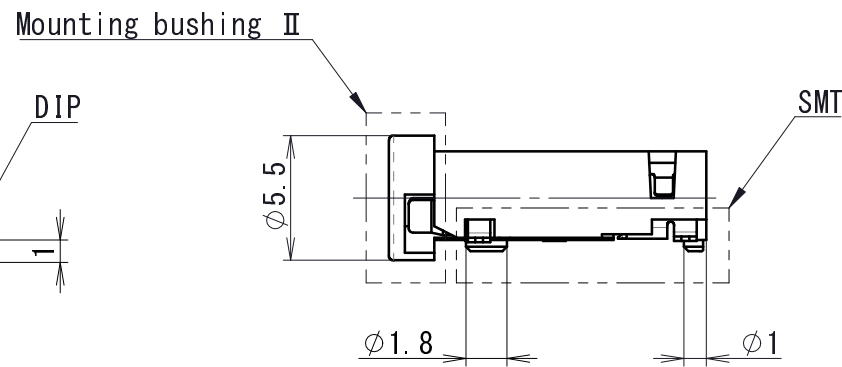
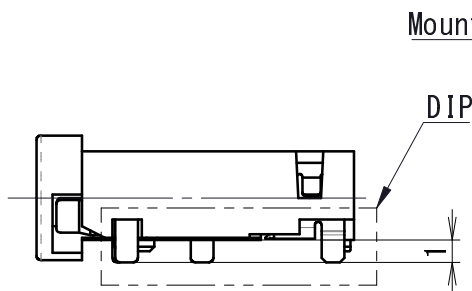
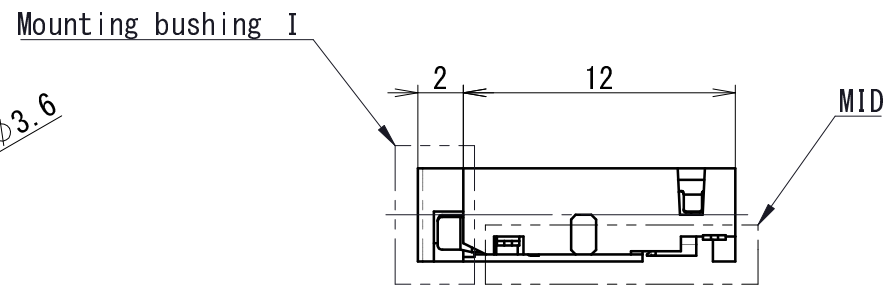
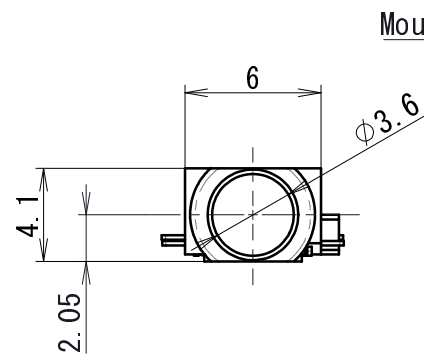
03-992E1-32BKA



PCB Layout (MID)
(Top View)



PCB Layout (SMT)
(Top View)



PCB Layout (DIP)
(Top View)

※The back same dimension

Part No.	03-992A1-32BKA	03-992C0-32BKA	03-992E1-32BKA	03-992G1-32BKA	03-992J0-30BKA	03-992P1-32BKA	03-992R0-30BKA	03-992T0-59BKA	03-992V1-59BKA
Schematic									
Mounting style	MID	SMT	MID	DIP+SMT	MID	DIP	DIP	MID	DIP
Mounting Bushing	I	II	I	II	I	II	II	I	II
Number of Resilient terminal T	1	1	2	1	1	1	1	1	1