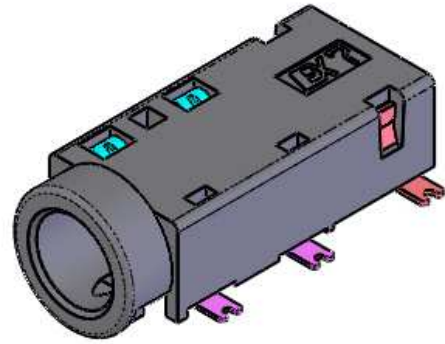
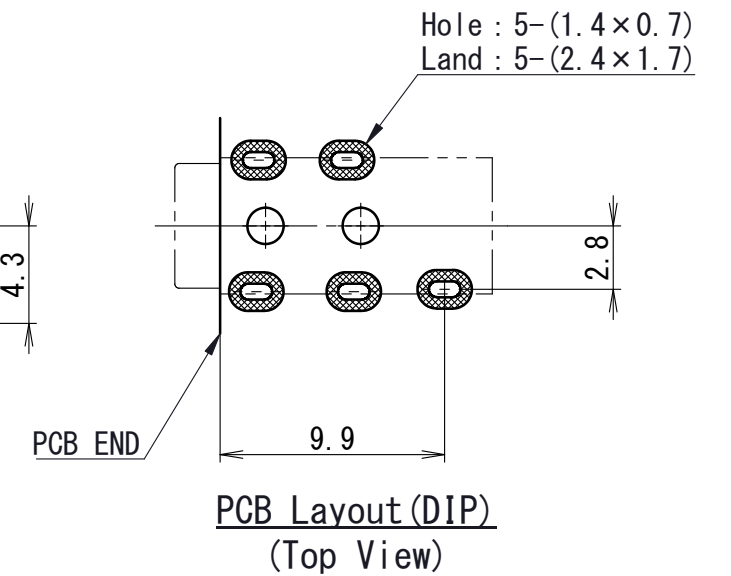
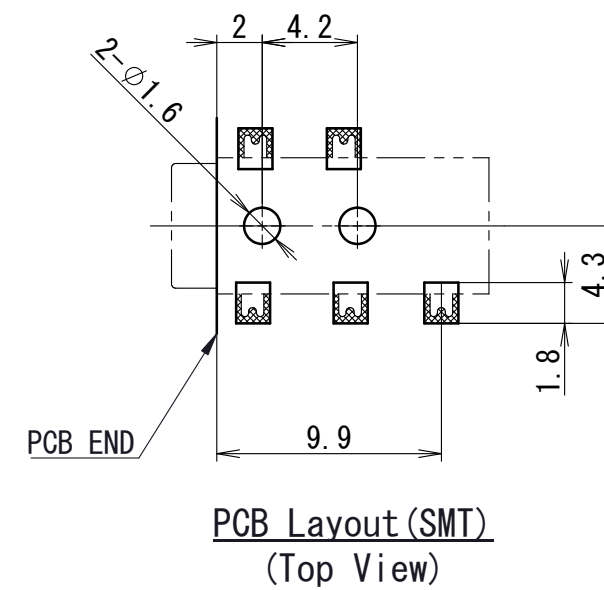
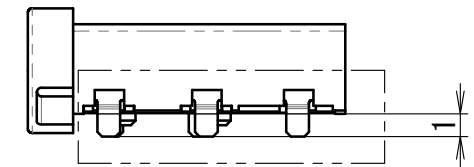
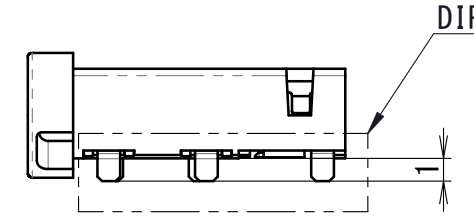
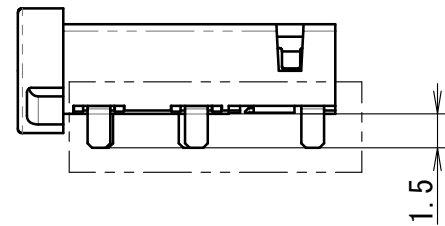
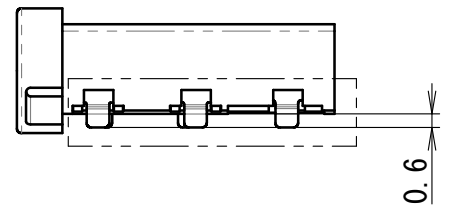
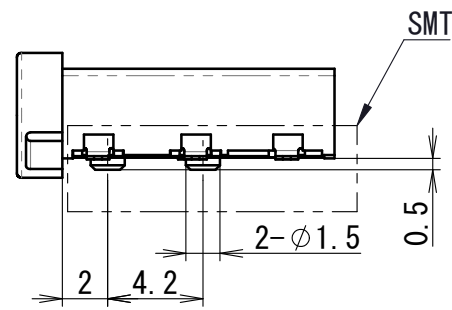
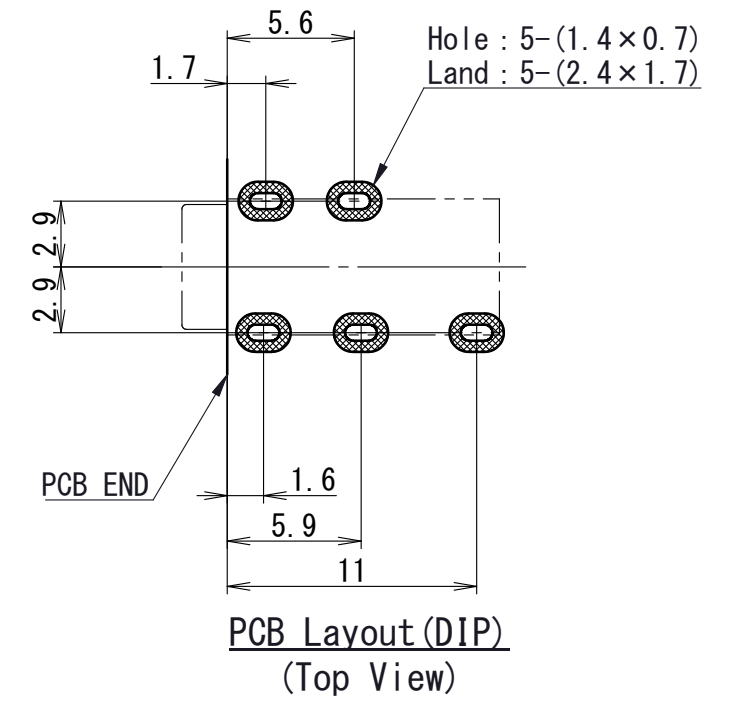
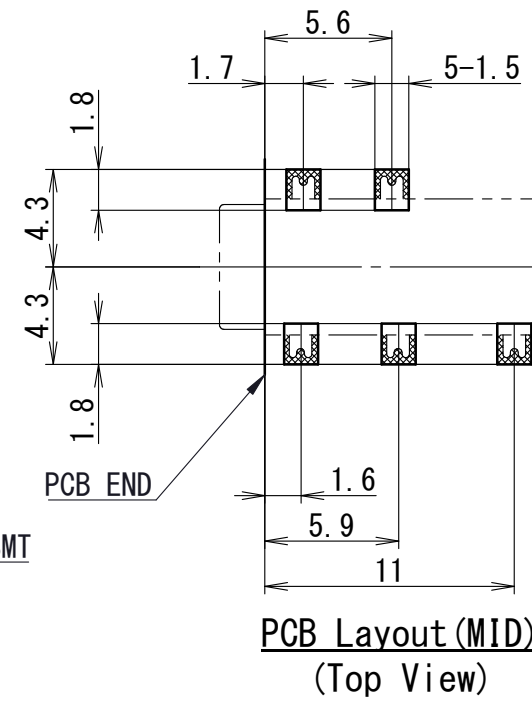
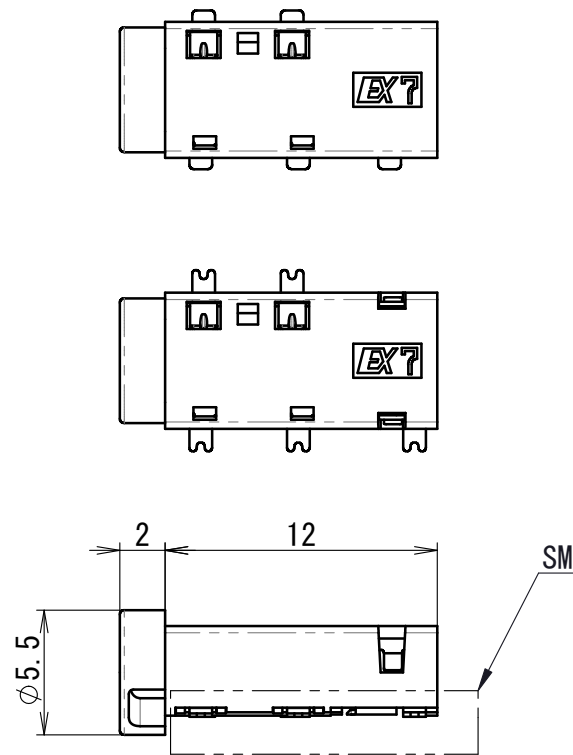
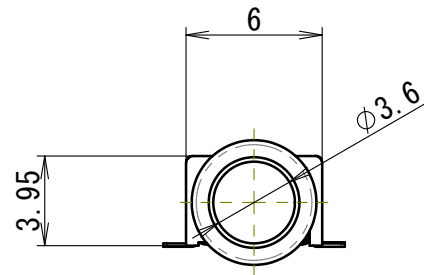


3.5 DIA Miniature Jack

(03-A10) Series



03-A10C1-75BKA



※The back same dimension

Part No.	03-A10A1-75BKA	03-A10C1-75BKA	03-A10G0-75BKA	03-A10J0-75BKA	03-A10N1-75BKA	03-A10S0-75BKA	03-A10U1-75BKA
Schematic							
Mounting style	DIP	SMT	DIP	SMT	SMT	DIP	DIP
Locating pin	No	No	Yes	Yes	Yes	Yes	No