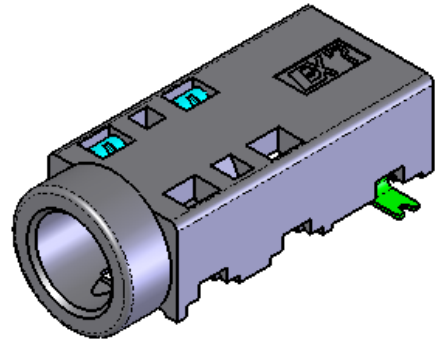
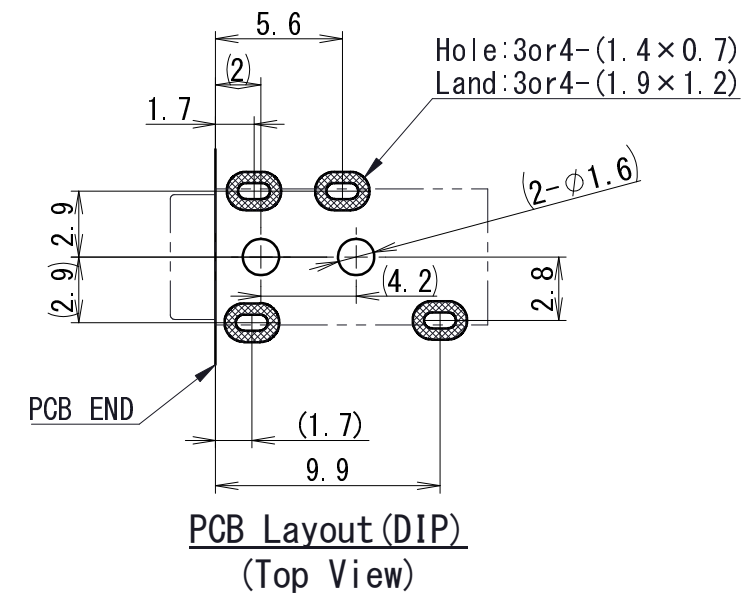
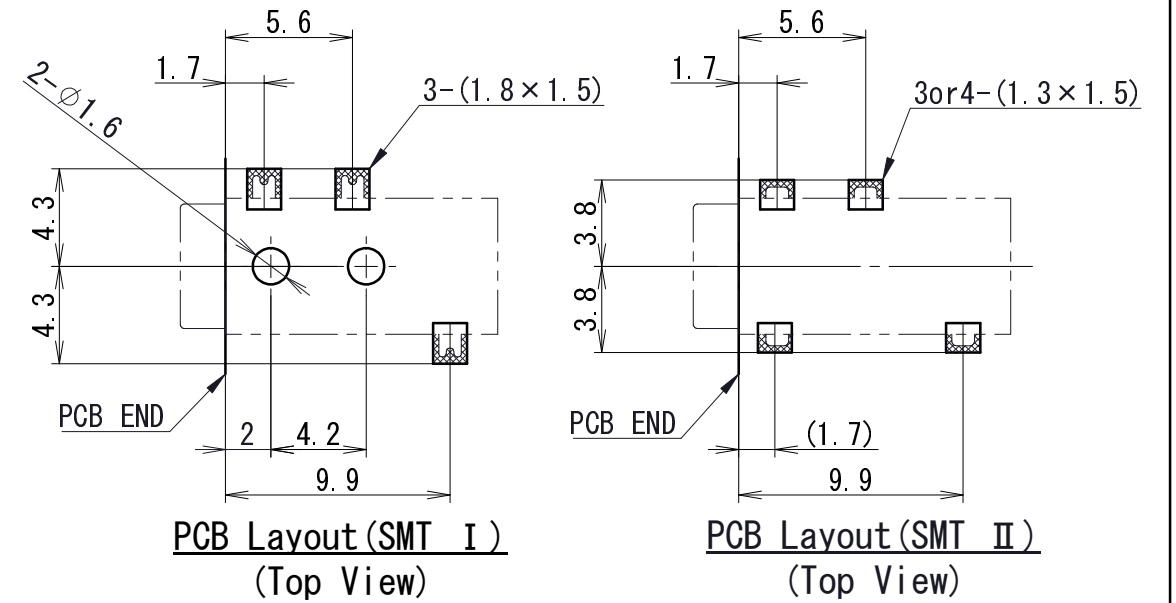
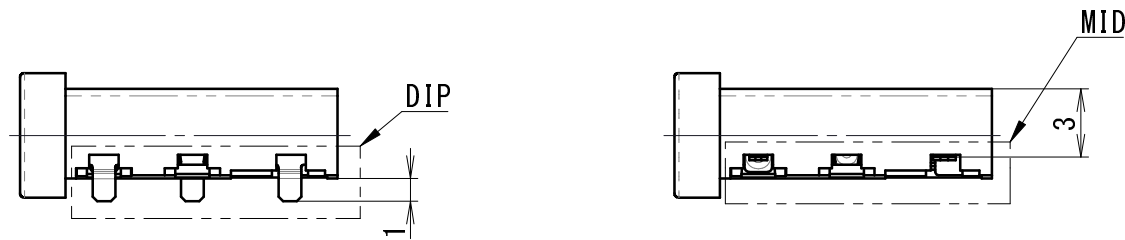
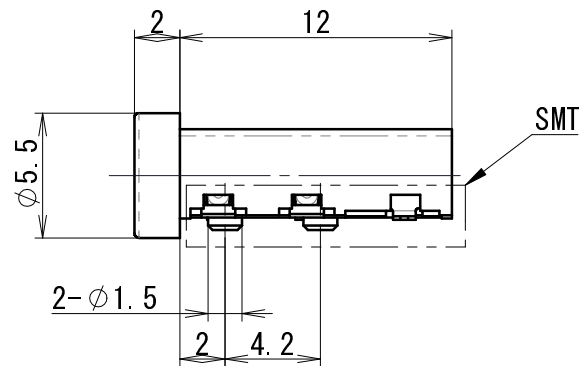
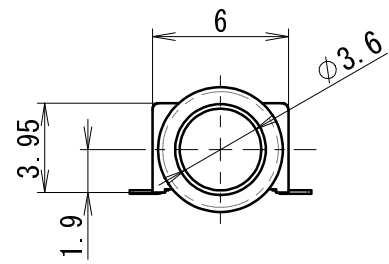
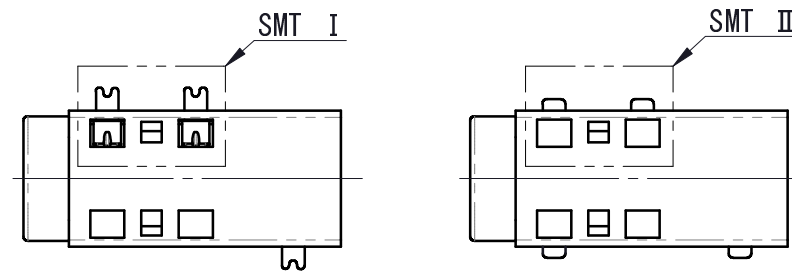


3.5 DIA Miniature Jack

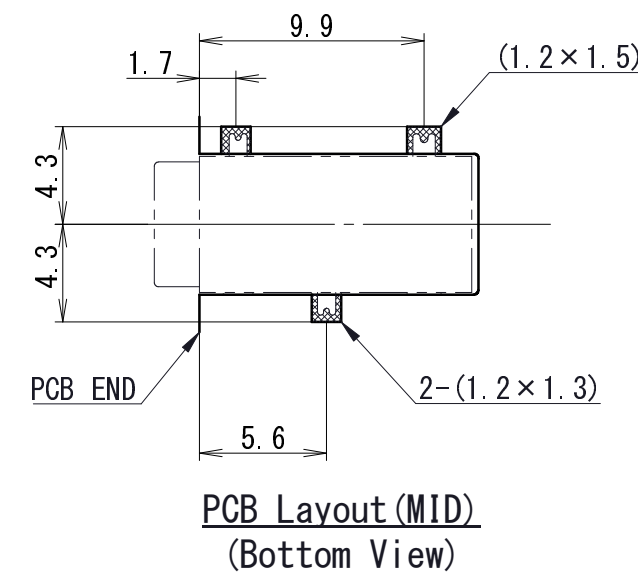
(03-A30) Series



03-A30C0-30BKA



※The back same dimension



Part No.	03-A30A0-30BKA	03-A30C0-30BKA	03-A30E0-30BKA	03-A30G1-30BKA	03-A30J1-30BKA	03-A30L0-59BKA	03-A30N0-59BKA
Schematic							
Mounting style	DIP	SMT I	MID	DIP	SMT II	DIP	SMT II