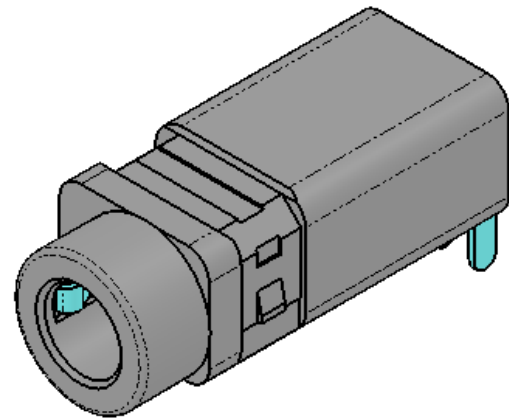
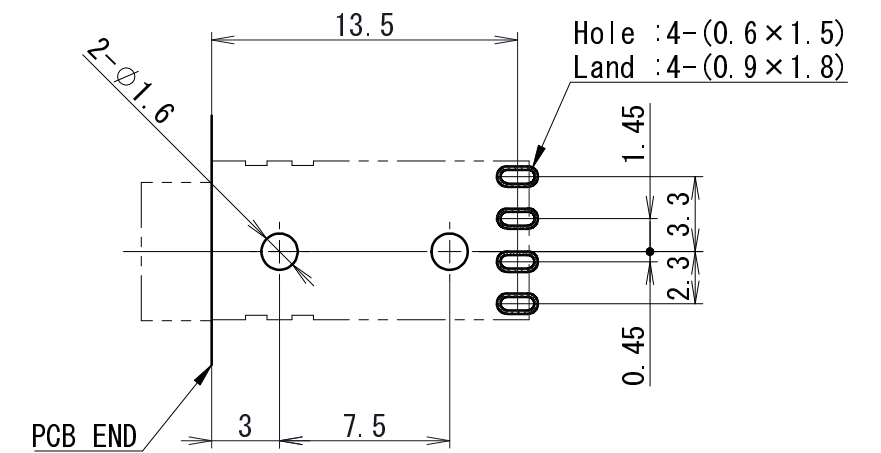
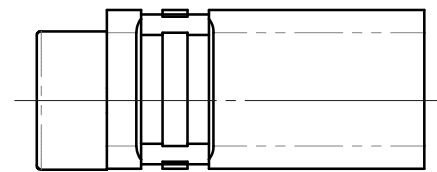


3.5 DIA Miniature Waterproof Jack

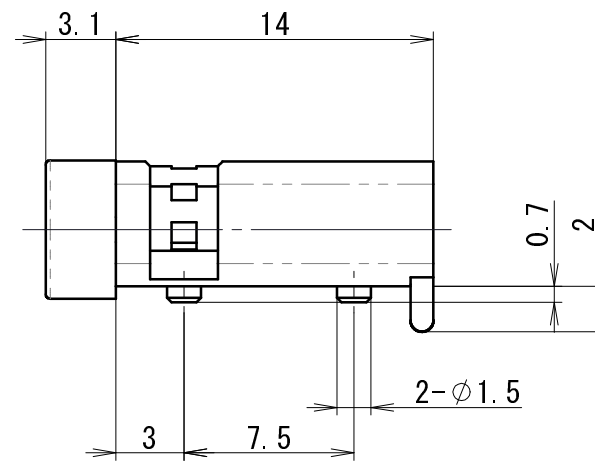
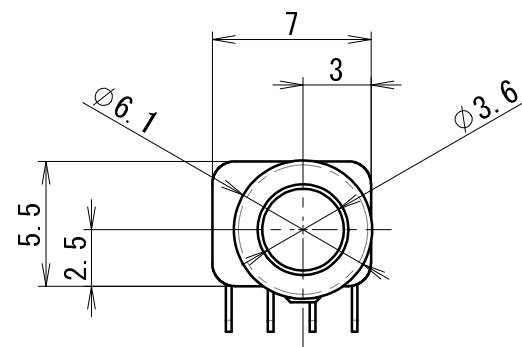
(03-A41) Series



03-A41A0-32BKA



PCB Layout (DIP)
(Top View)



Part No.	03-A41A0-32BKA
Schematic	