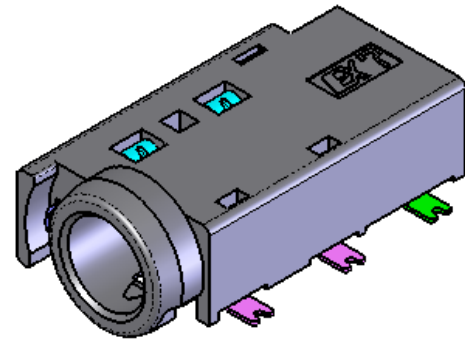
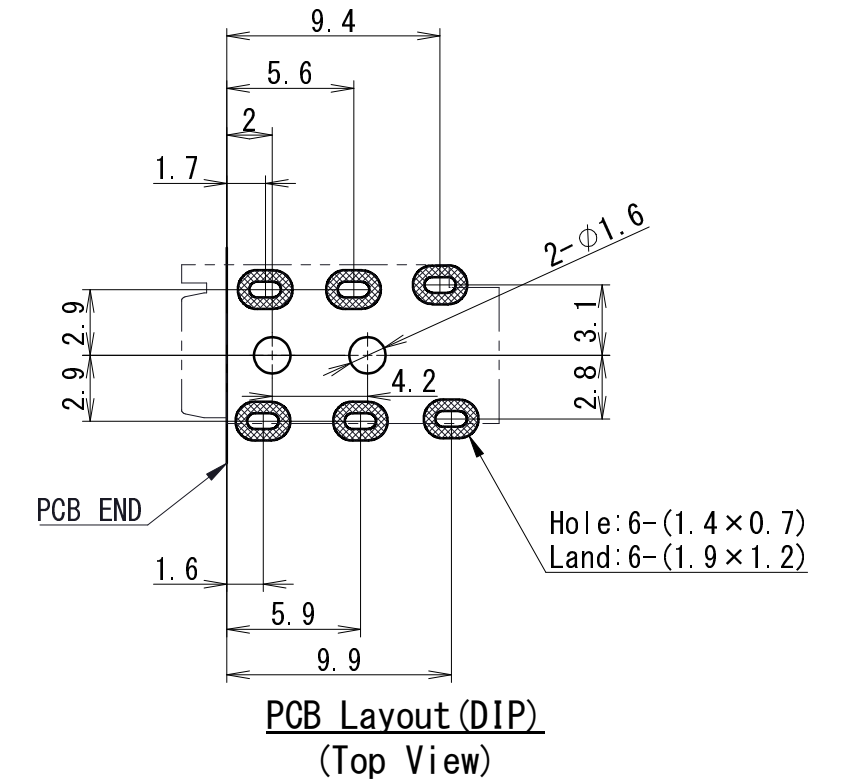
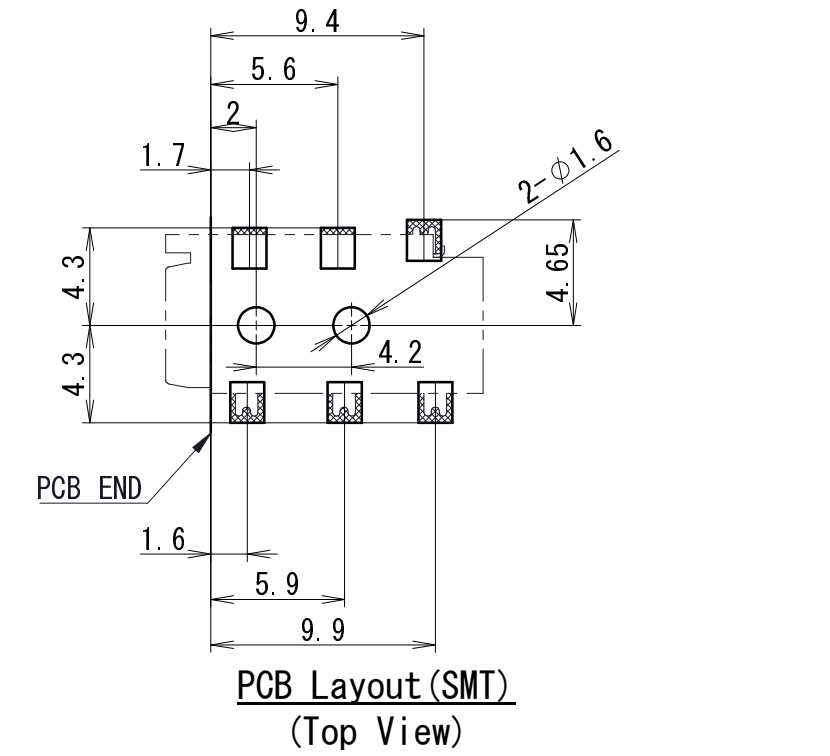
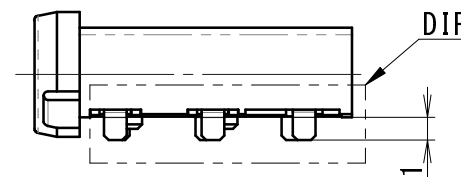
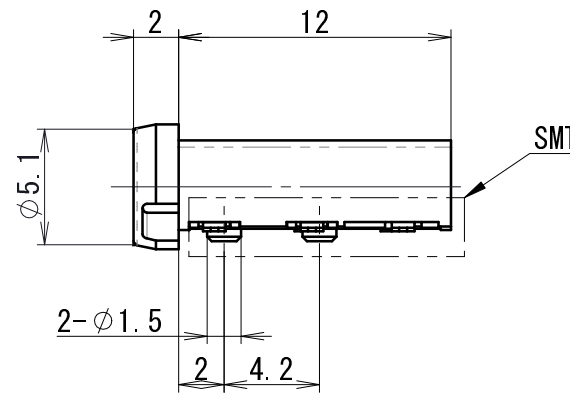
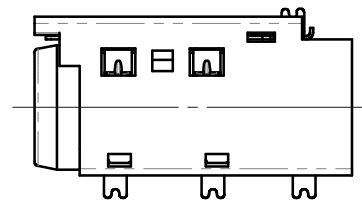
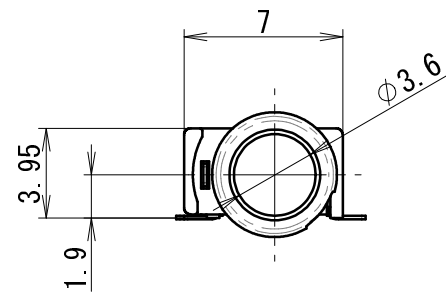


3.5 DIA Miniature Jack

(03-A50) Series



03-A50C0-74BKA



※The back same dimension

Part No.	03-A50A0-74BKA	03-A50C0-74BKA
Schematic		
Mounting style	DIP	SMT