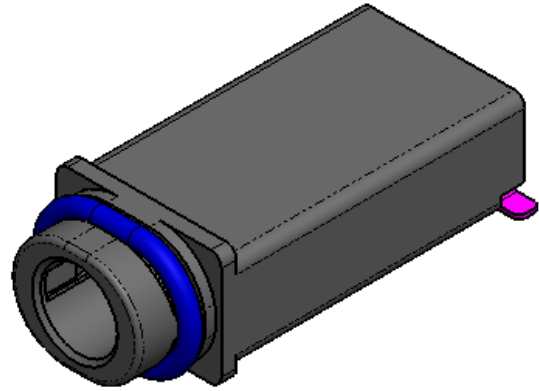
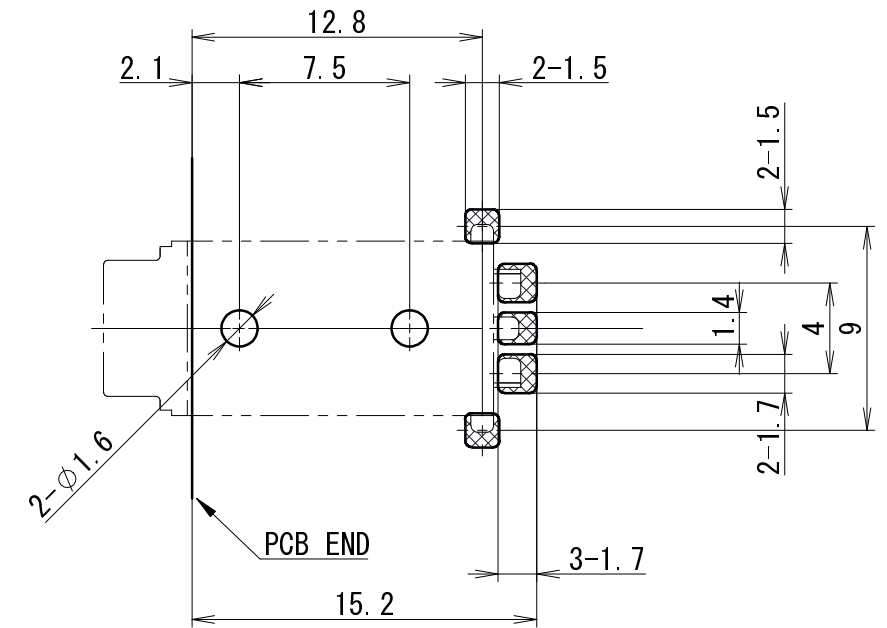
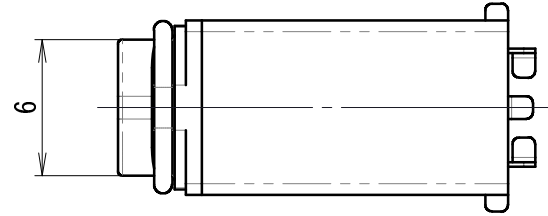


3.5 DIA Miniature Waterproof Jack

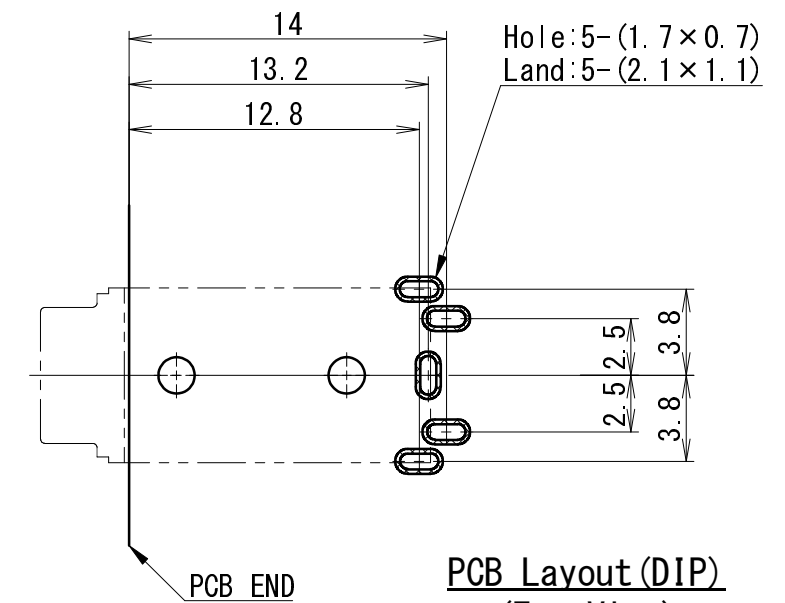
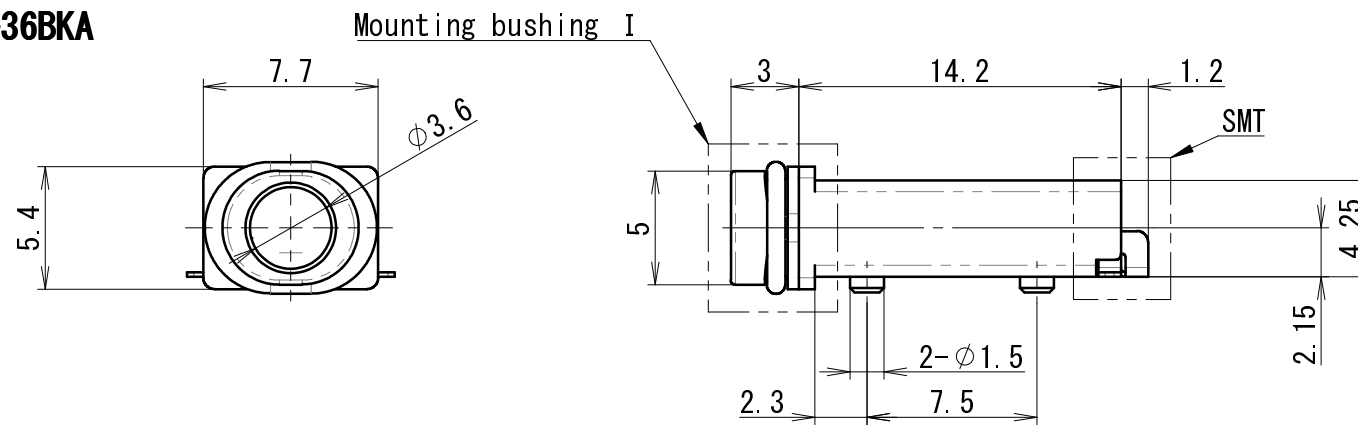
(03-A70) Series



03-A70K0-36BKA

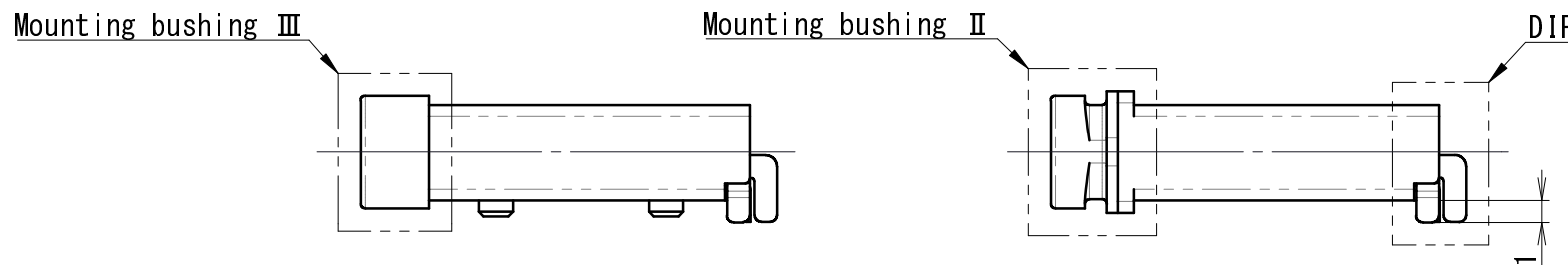


PCB Layout (SMT)
(Top View)



PCB Layout (DIP)
(Top View)

※The back same dimension



Part No.	03-A70A0-75BKA	03-A70B0-75BKA	03-A70C0-36BKA	03-A70D0-36BKA	03-A70F1-36BKA	03-A70G0-36BKA	03-A70H1-36BKA	03-A70K0-36BKA
Schematic								
Mounting style	DIP	SMT	DIP	SMT	SMT	DIP	SMT	SMT
Mounting bushing	III	III	III	III	I	III	II	I
O-ring	No	No	No	No	Yes	No	No	Yes
Locating pin	No	No	No	No	No	Yes	No	Yes