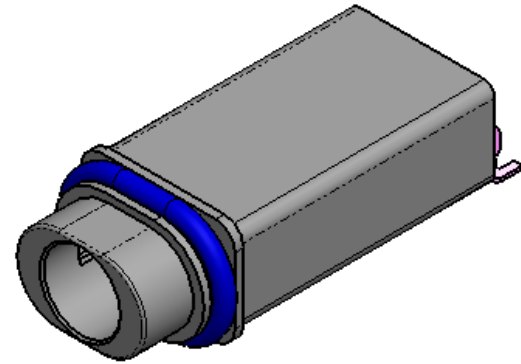
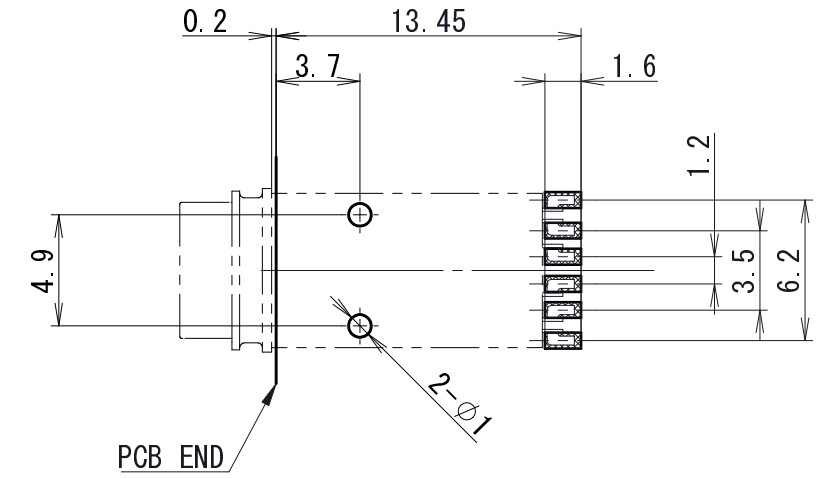
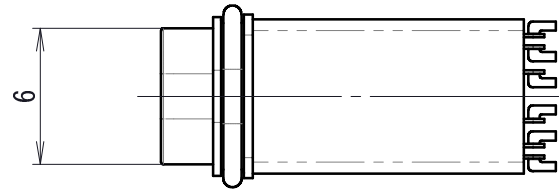


# 3.5 DIA Miniature Waterproof Jack

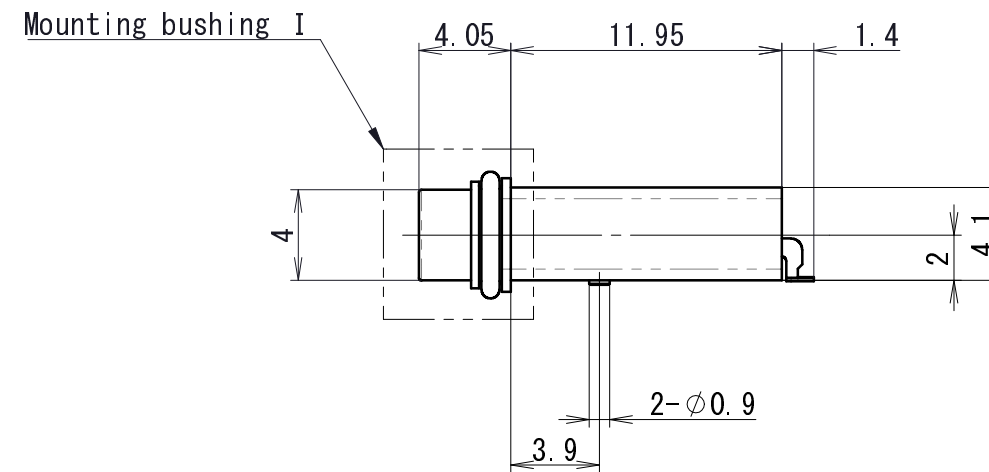
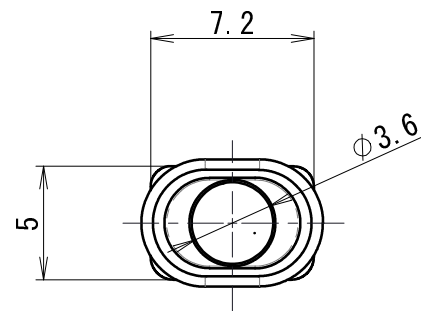
(03-B30) Series



03-B30E0-80BKA



PCB Layout (STM)  
(Top View)



Part No.	03-B30E0-80BKA
Schematic	
Mounting style	SMT
Mounting bushing	I
O-ring	Yes
Locating pin	Yes