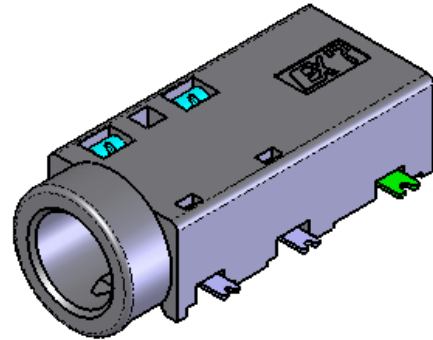
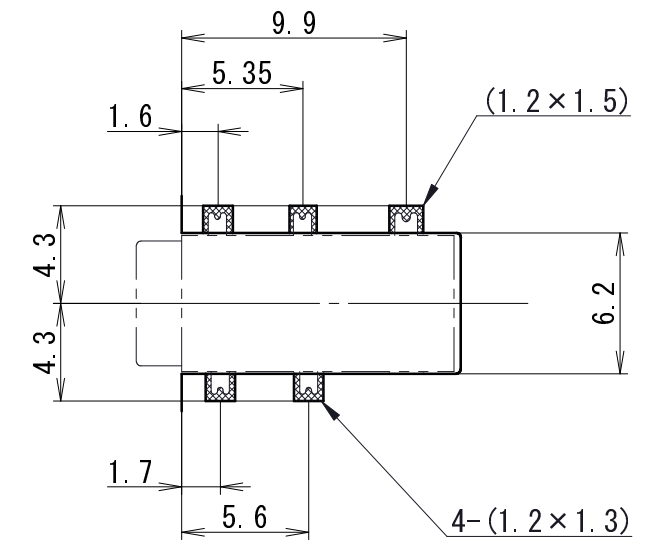
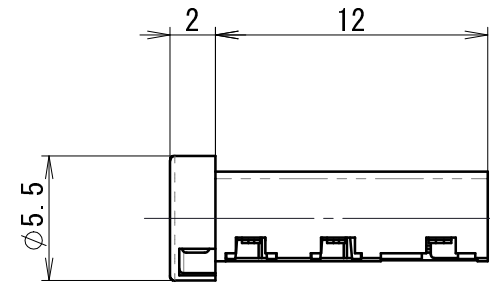
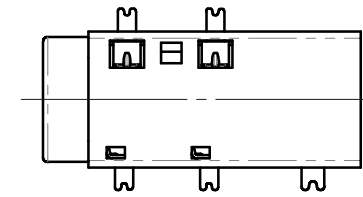
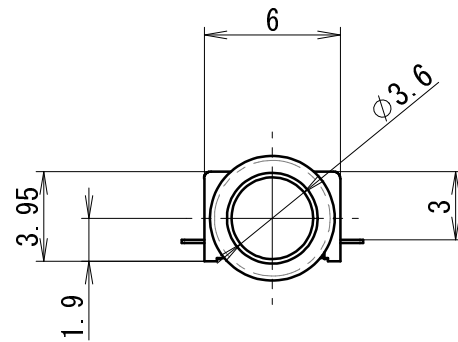


3.5 DIA Miniature Jack

(03-B35) Series



03-B35LO-36BKA



PCB Layout (MID)
(Bottom View)

Part No.	03-B35LO-36BKA
Schematic	
Mounting style	MID