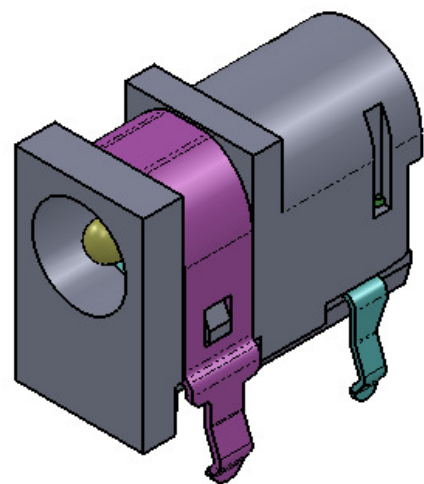


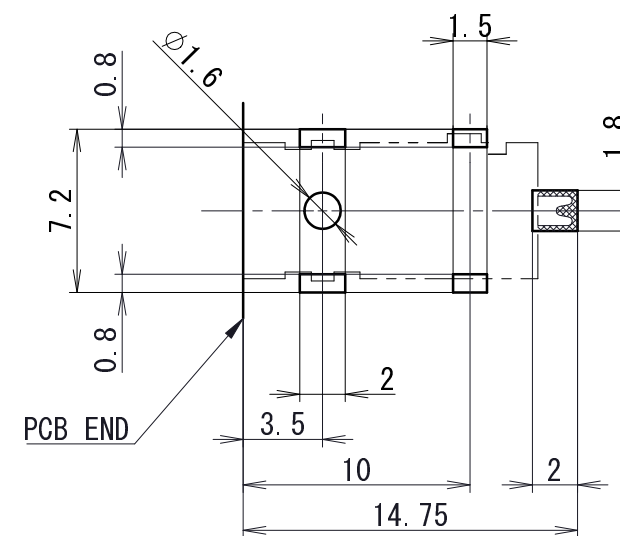
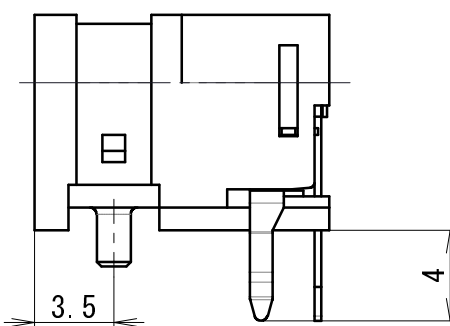
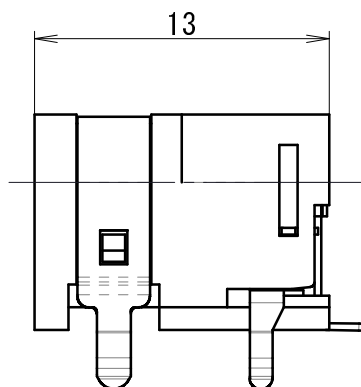
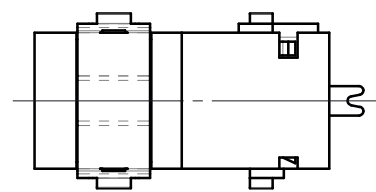
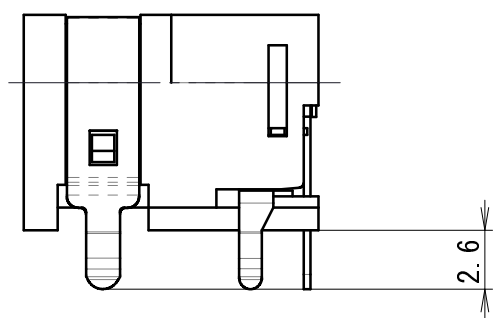
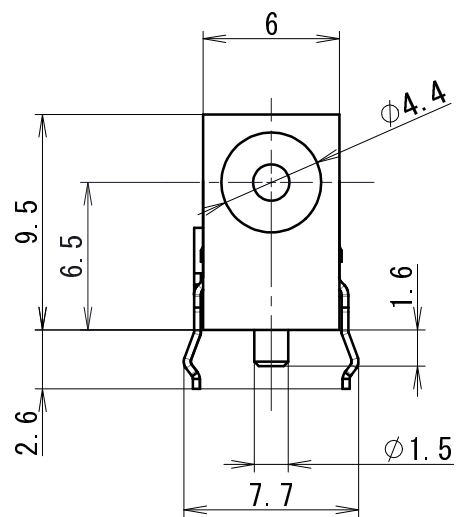
DC Power Jack

(04-339) Series

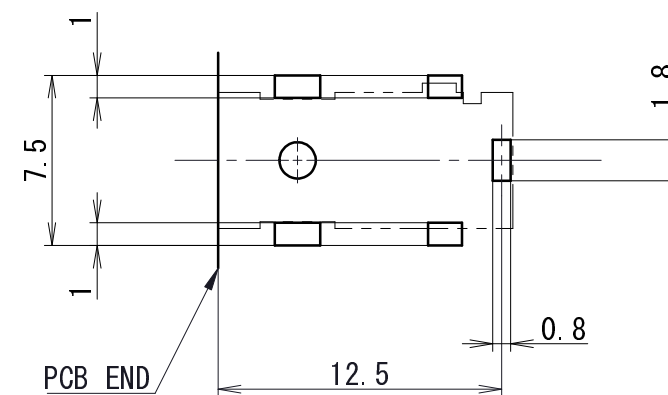
Voltage classification II



04-339R0-02BKA



PCB Layout (DIP+SMT)
(Top View)



PCB Layout (DIP)
(Top View)

Part No.	04-339A1-02BKA	04-339C1-02BKA	04-339E1-02BKA	04-339R0-02BKA
Schematic				
Mounting style	DIP	DIP	DIP	DIP+SMT
Angle	Yes	Yes	No	Yes