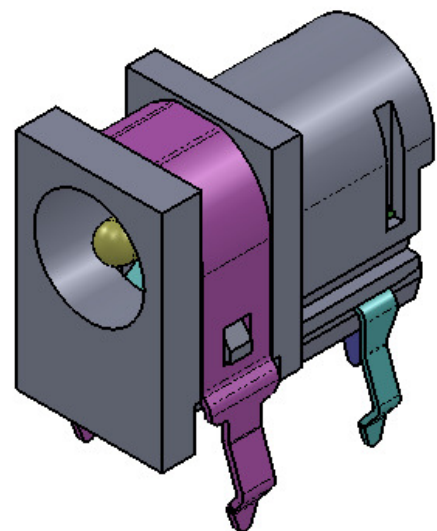


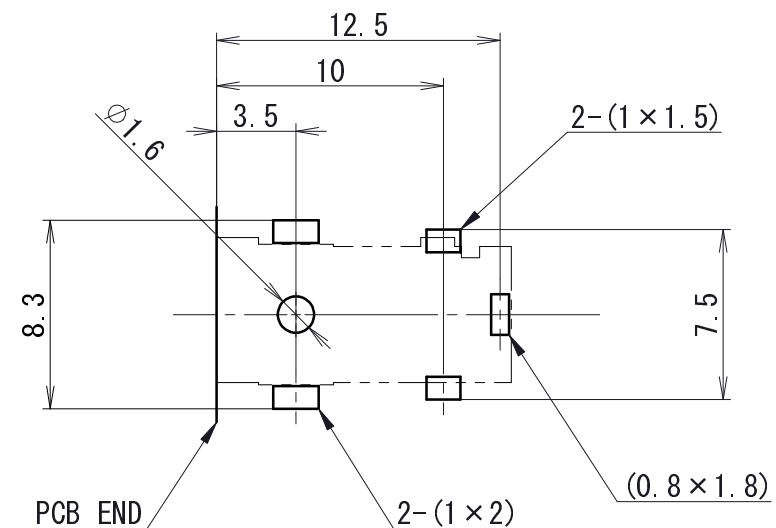
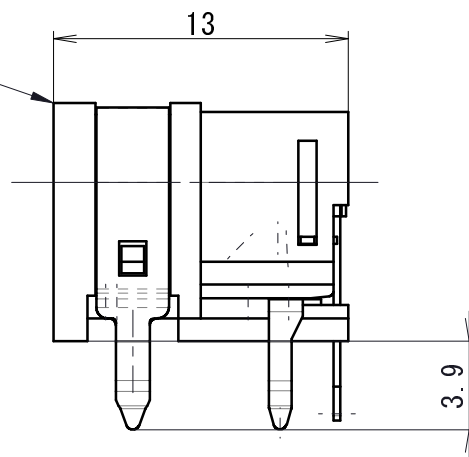
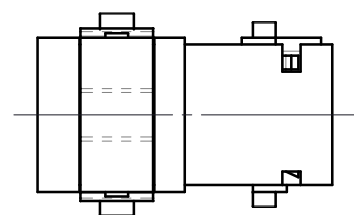
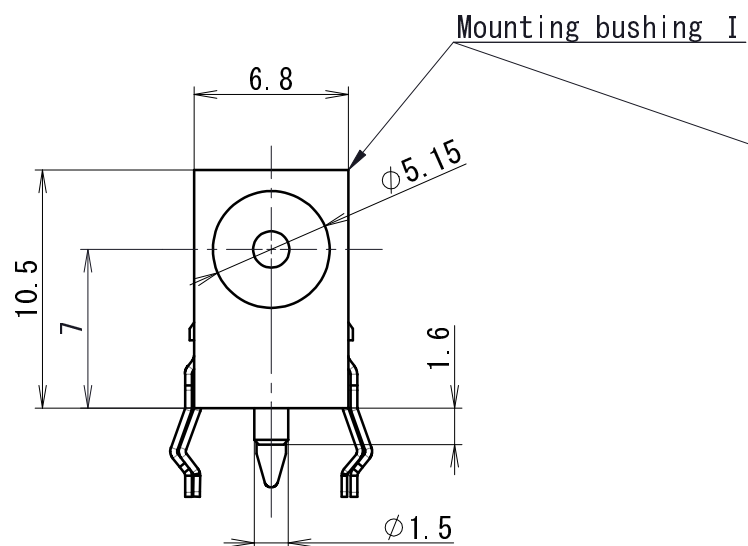
DC Power Jack

(04-440) Series

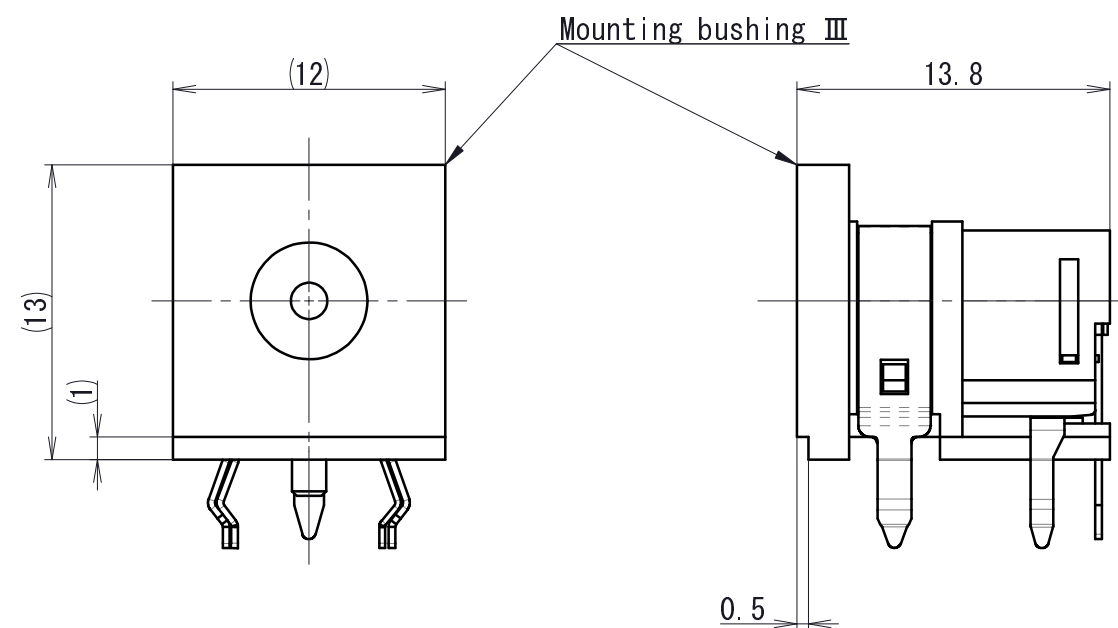
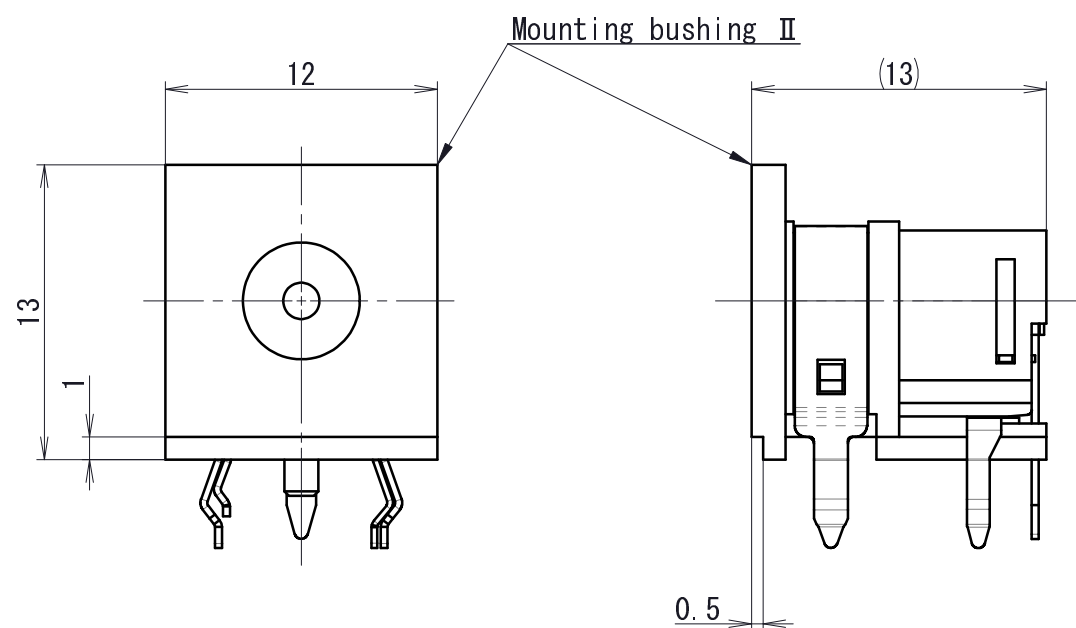
Voltage classification III



04-440A1-02BKA



PCB Layout (DIP)
(Top View)



Part No.	04-440A1-02BKA	04-440C1-02BKA	04-440D1-02BKA	04-440G1-02BKA
Schematic				
Mounting bushing	I	II	I	III
Angle	Yes	Yes	No	Yes