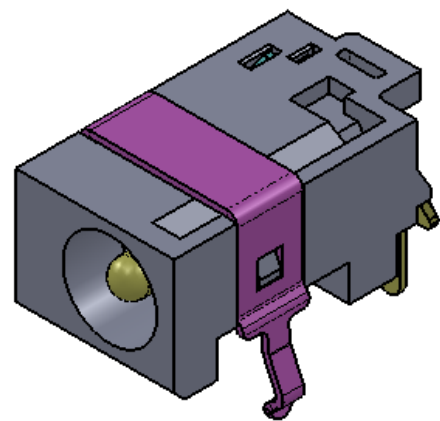
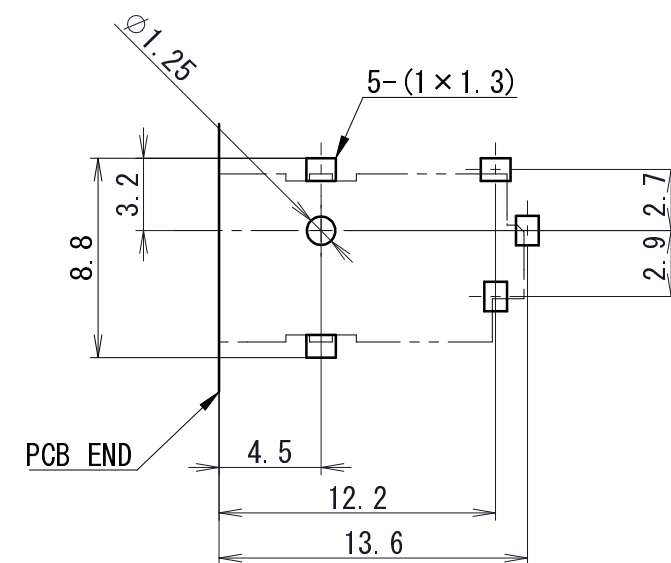
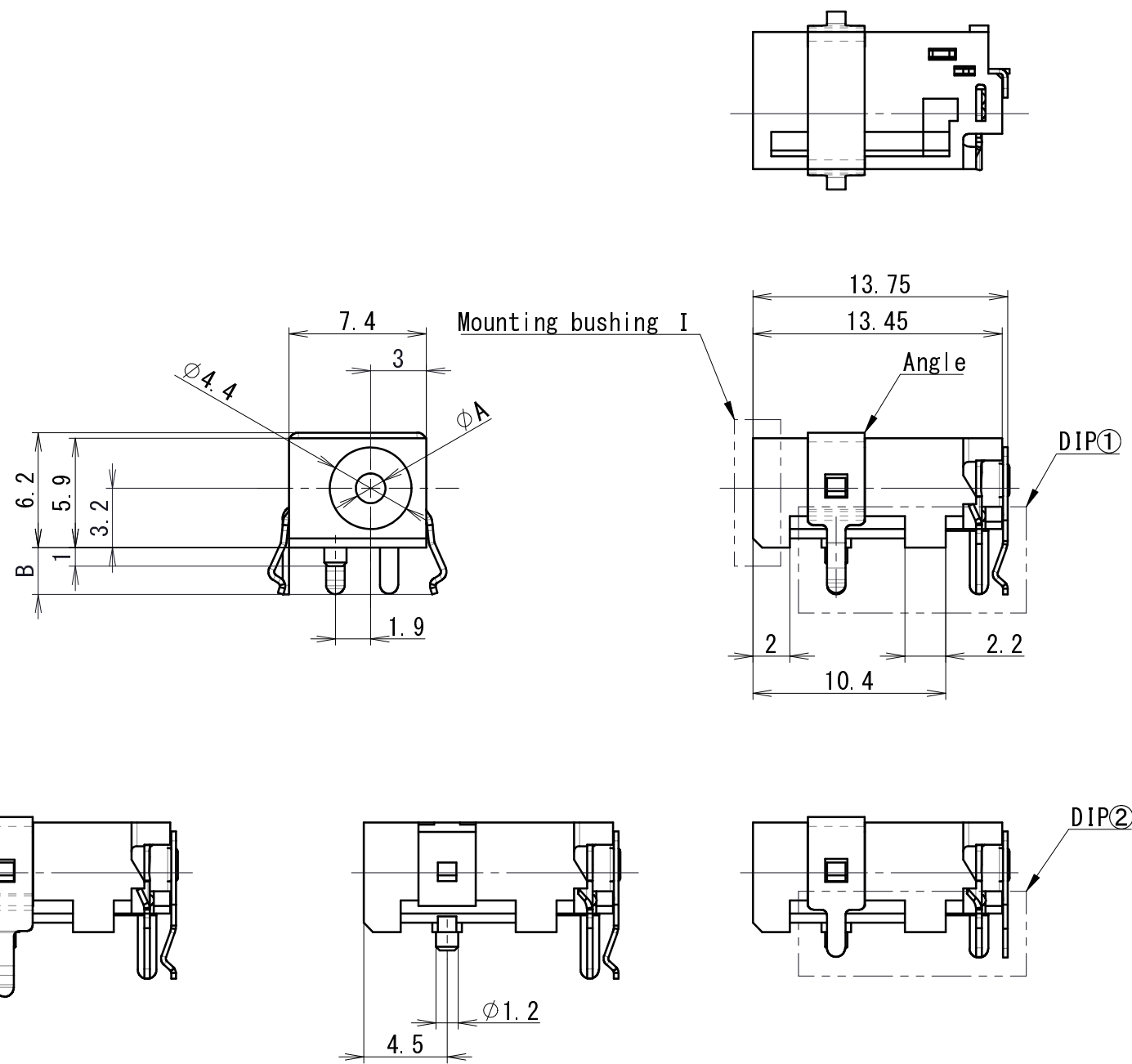


DC Power Jack

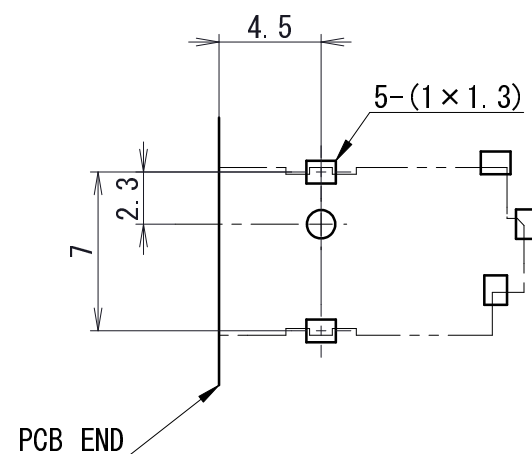
(04-513) Series



04-513A4-02BKA



PCB Layout (DIP①)
(Top View)



PCB Layout (DIP②)
(Top View)

Part No.	04-513A4-02BKA	04-513C3-02YEA	04-513D3-02BKA	04-513F1-02BKA	04-513G1-02YEA	04-513H1-02YEA	04-513J1-02YEA
Schematic							
Mounting style	DIP①	DIP①	DIP①	DIP①	DIP②	DIP①	DIP②
Mounting bushing	I	I	II	I	I	I	I
φA	1.65	1.6	1.65	1.65	1.6	1.6	1.6
B	2.5	2.5	3.5	3.5	1.5	2.5	2.5
Angle	Yes	Yes	Yes	Yes	Yes	No	Yes