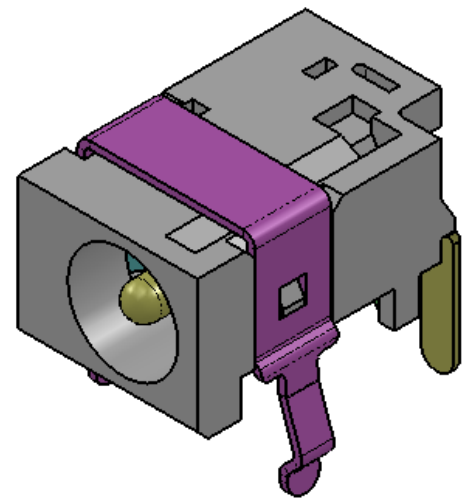


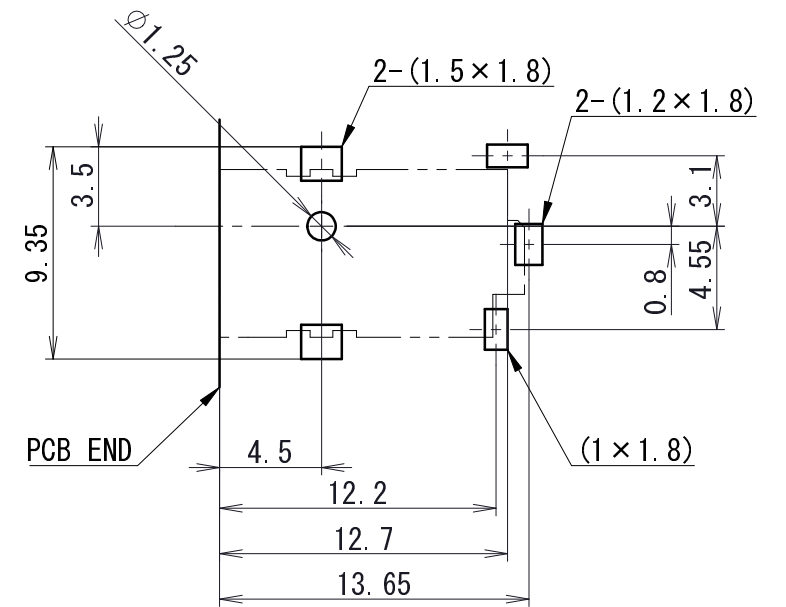
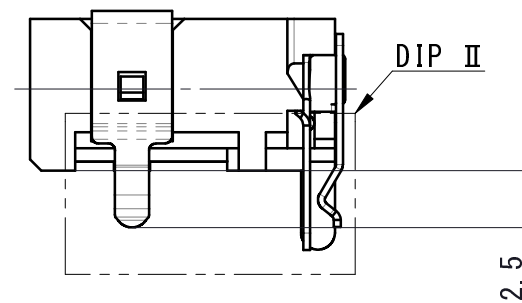
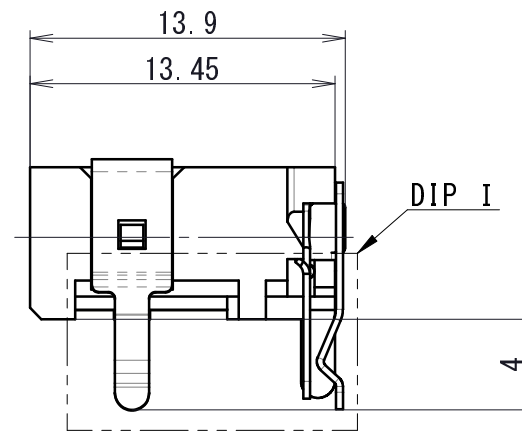
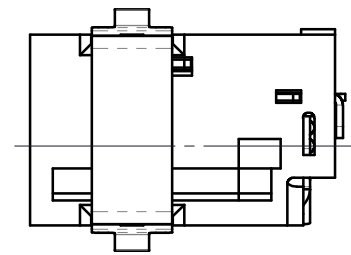
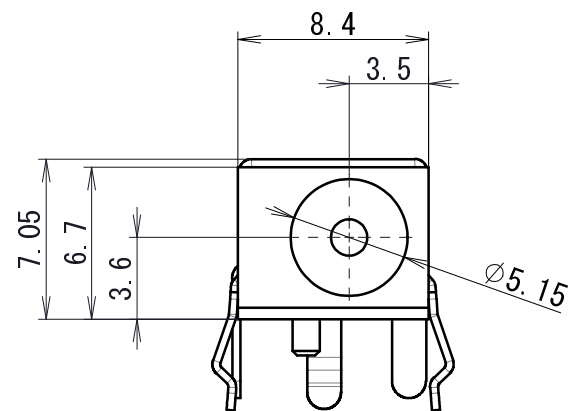
DC Power Jack

(04-533) Series

Voltage classification III



04-533A1-02BKA



PCB Layout (DIP)
(Top View)

Part No.	04-533A1-02BKA	04-533B1-02BKA
Schematic		
Mounting style	DIP I	DIP II