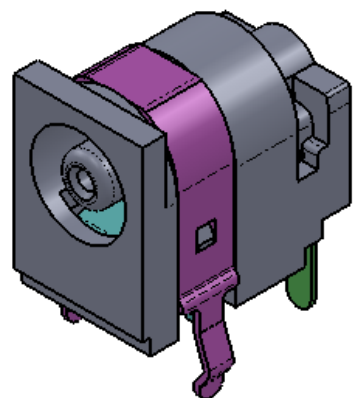


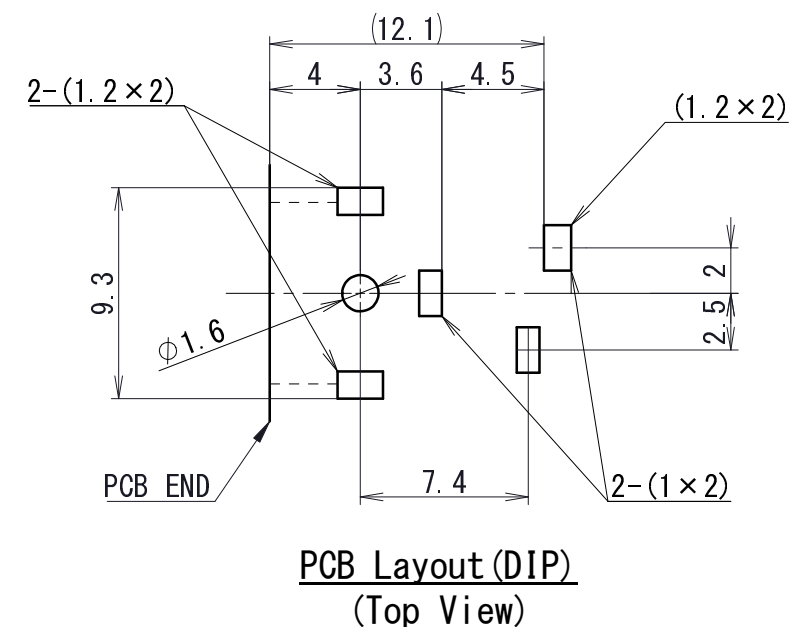
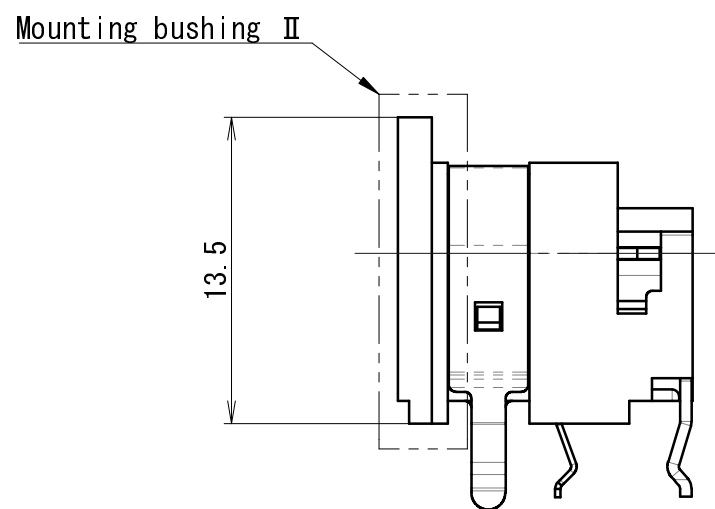
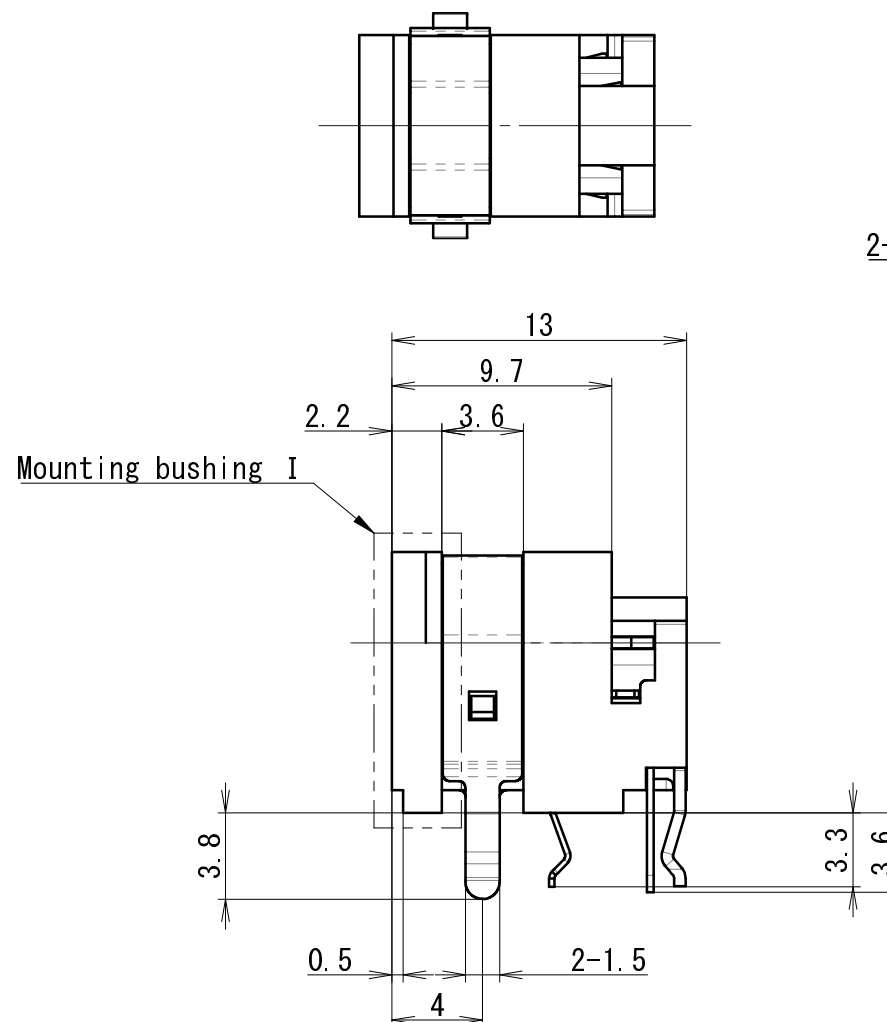
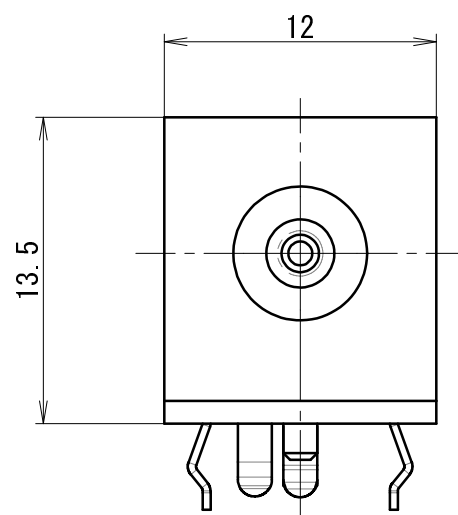
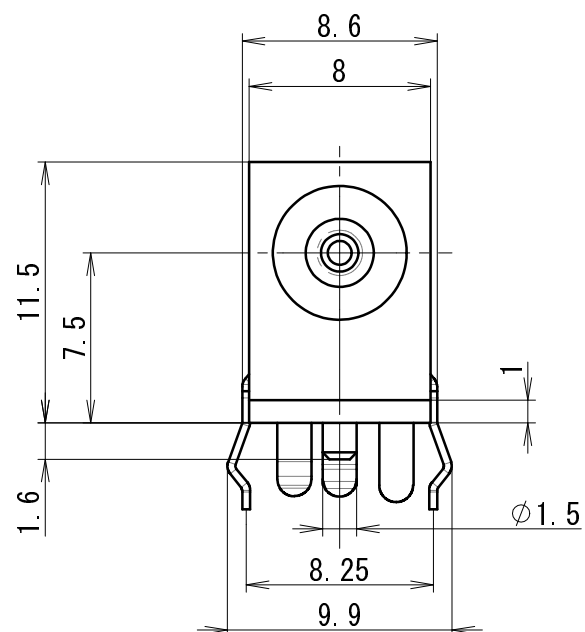
DC Power Jack

(04-700) Series

Voltage classification IV



04-700C2-02YEA



Part No.	04-700A2-01BKA	04-700C2-02YEA	04-700E2-01BKA
Schematic			
Mounting bushing	I	I	II