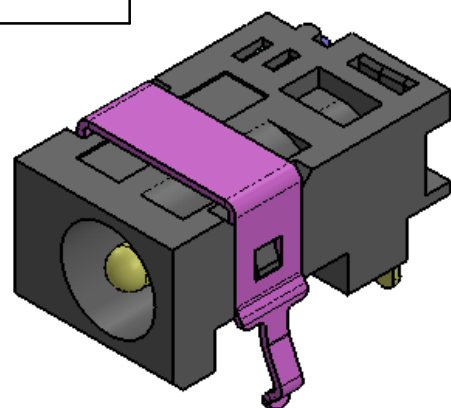


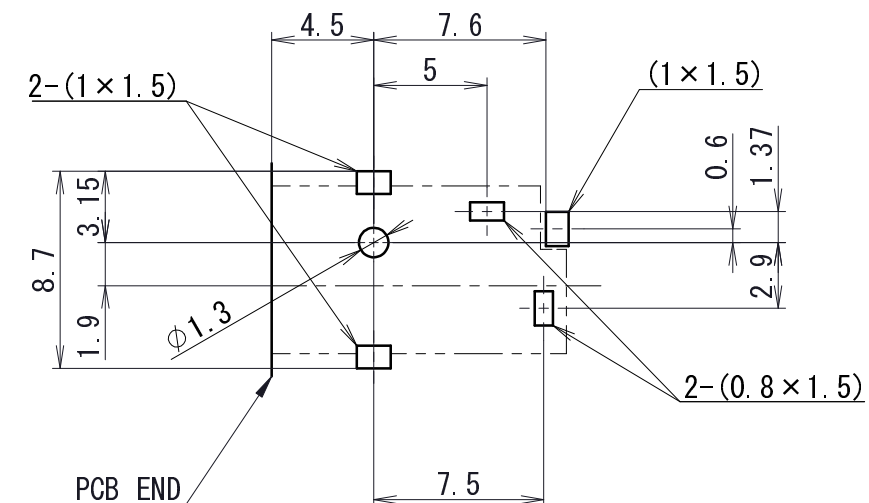
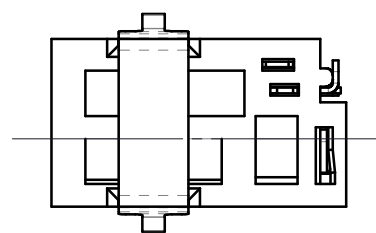
DC Power Jack

(04-730) Series

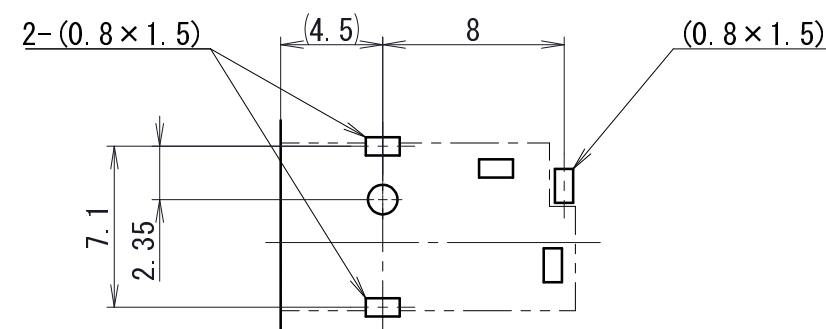
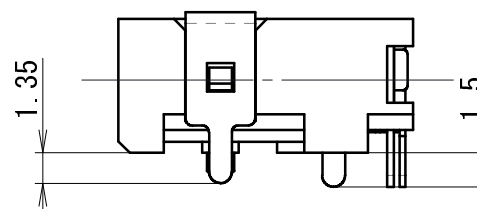
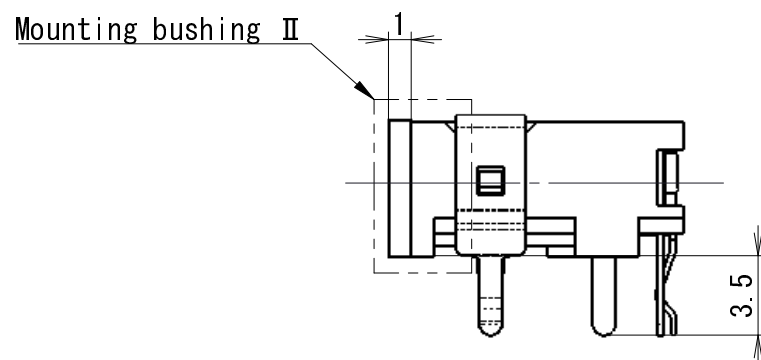
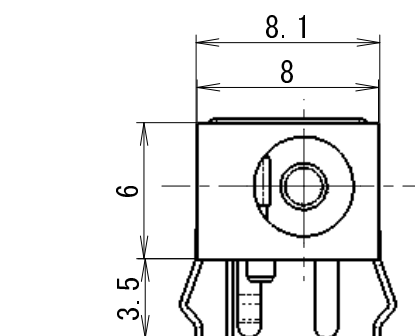
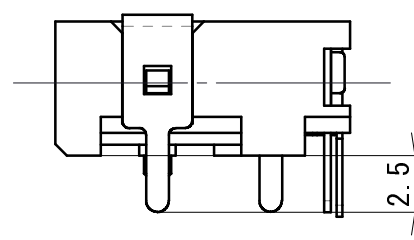
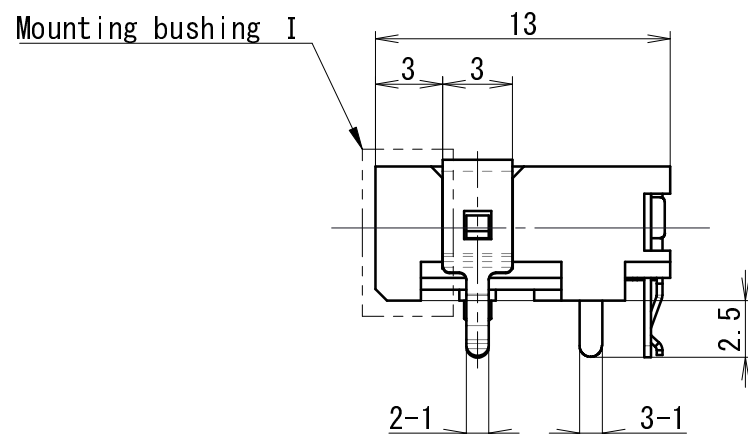
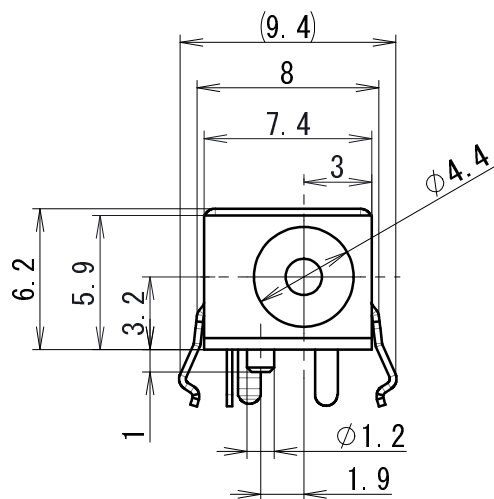
Voltage classification II



04-730A3-02BKA



PCB Layout (DIP)
(Top View)



PCB Layout (DIP)
(Top View)
※The back same dimension

Part No.	04-730A3-02BKA	04-730C3-02BKA	04-730E3-02YEA	04-730F3-02BLA	04-730G3-02BKA	04-730H3-02BKA	04-730M2-01BKA
Schematic							
Mounting bushing	I	I	I	I	I	II	I
Angle	Yes	Yes	Yes	Yes	Yes	No	No