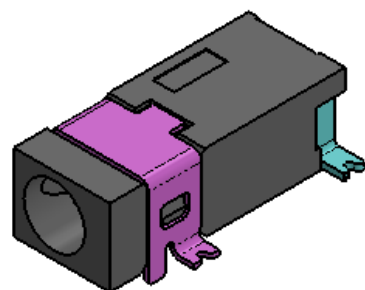


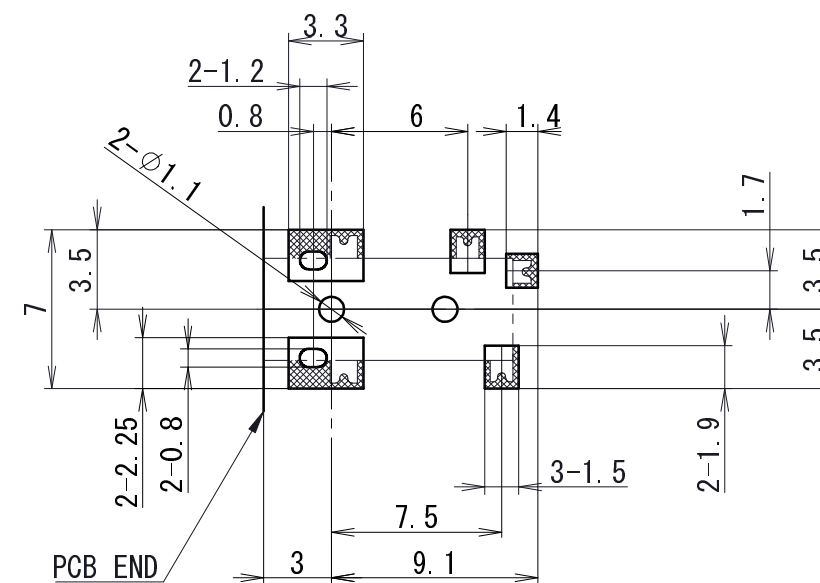
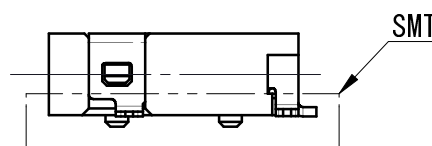
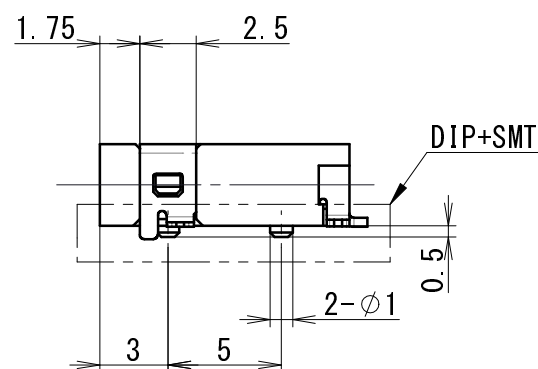
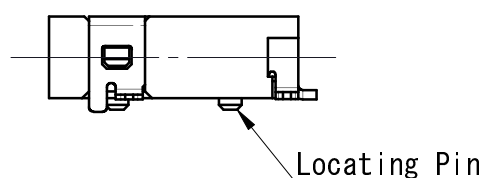
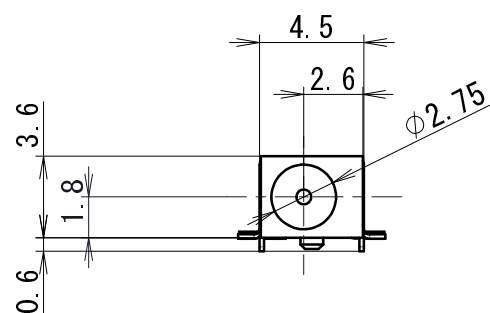
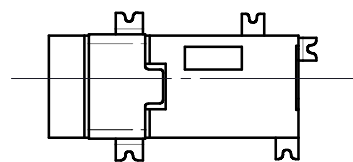
# DC Power Jack

## (04-959) Series

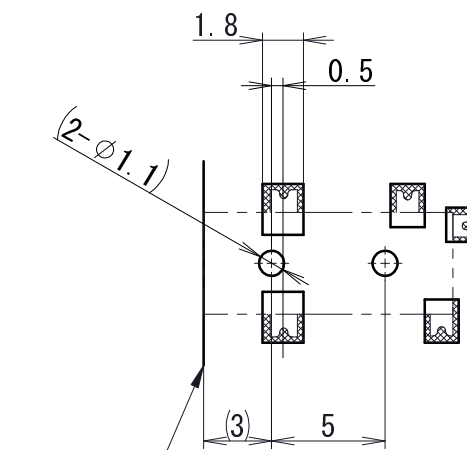
Voltage classification I



04-959C1-02BKA



PCB Layout (DIP+SMT)  
(Top View)



PCB Layout (SMT)  
(Top View)

※The back same dimension

Part No.	04-959A1-02BKA	04-959C1-02BKA	04-959E0-02BKA
Schematic			
Mounting style	DIP+SMT	DIP+SMT	SMT
Locating pin	1	2	2