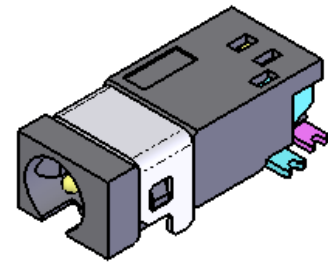


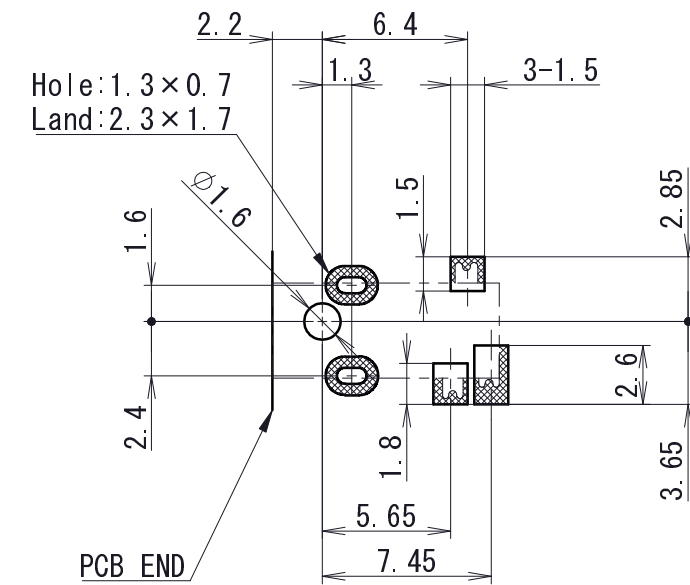
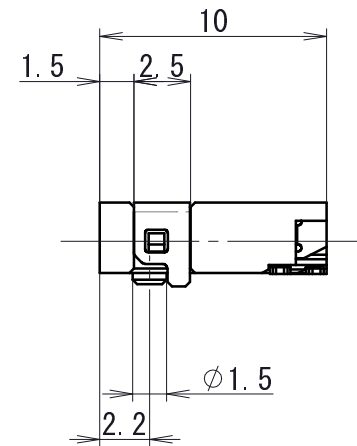
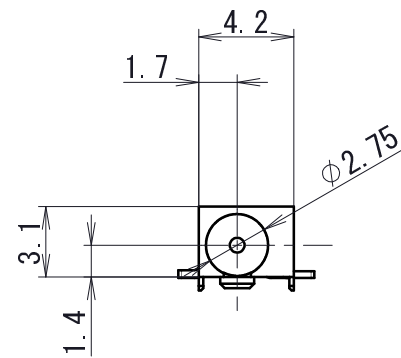
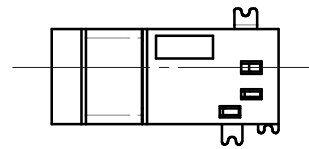
DC Power Jack

(04-A18) Series

Voltage classification I



04-A18A0-02BKA



PCB Layout
(Top View)

Part No.	04-A18A0-02BKA
Schematic	
Mounting style	DIP+SMT