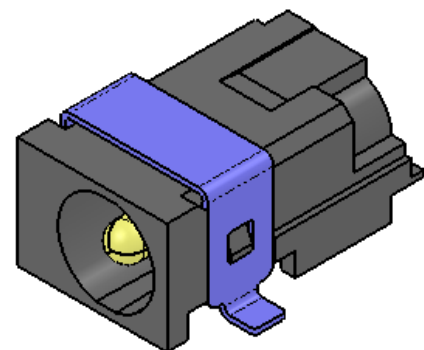


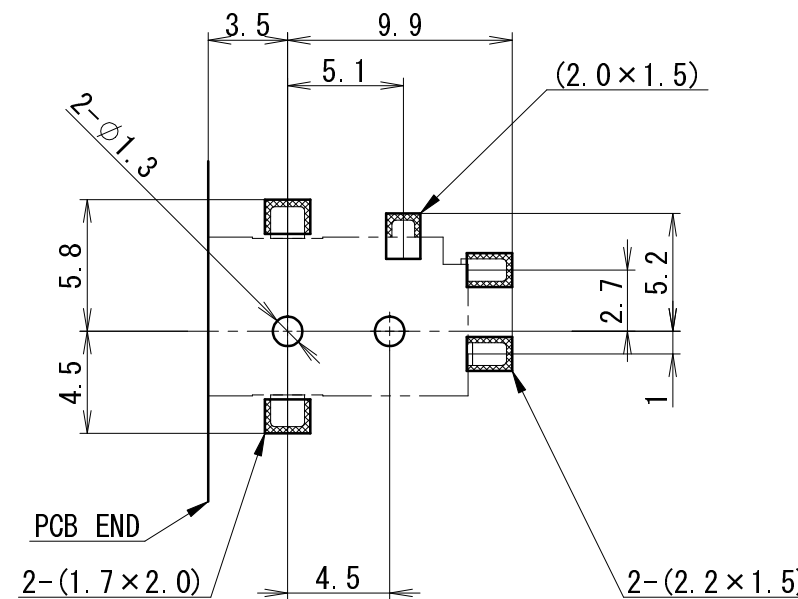
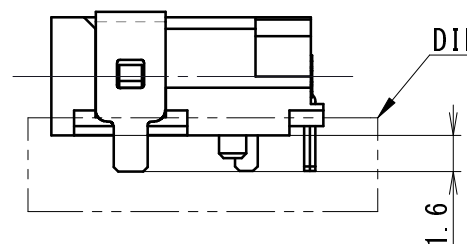
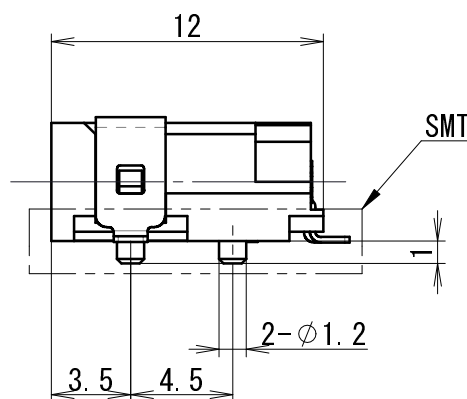
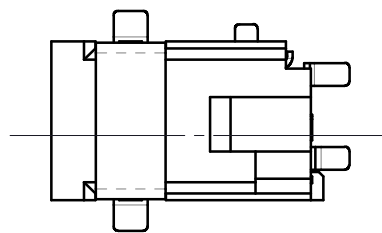
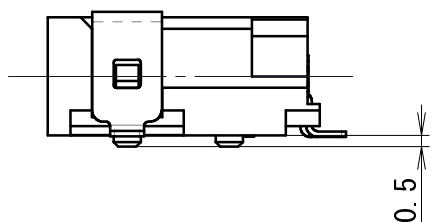
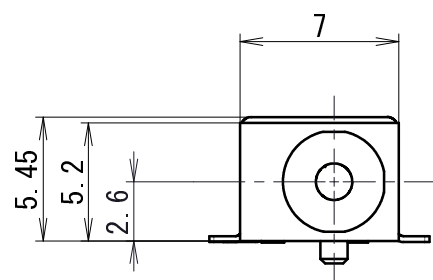
DC Power Jack

(04-A49) Series

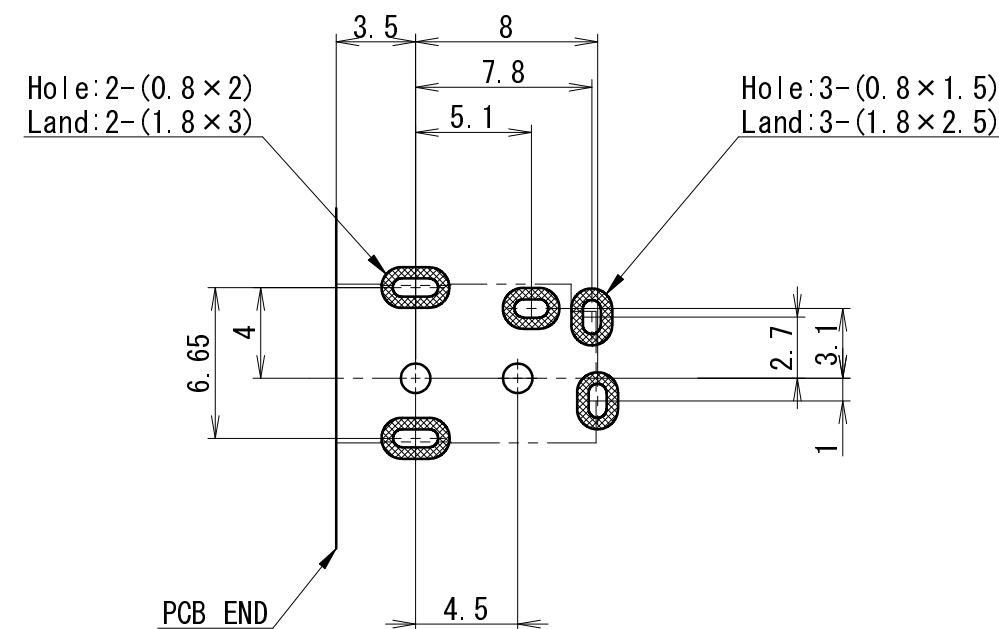
Voltage classification II



04-A49A0-02BKA



PCB Layout (SMT)
(Top View)



PCB Layout (DIP)
(Top View)

※The back same dimension

Part No.	04-A49A0-02BKA	04-A49E0-02BKA	04-A49G0-02BKA	04-A49J0-02BKA
Schematic				
Mounting style	SMT	DIP	DIP	SMT
Angle	Yes	Yes	No	Yes
Locating pin type	1.0	1.0	1.0	0.5