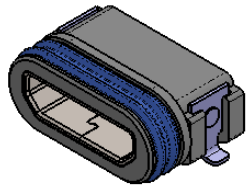
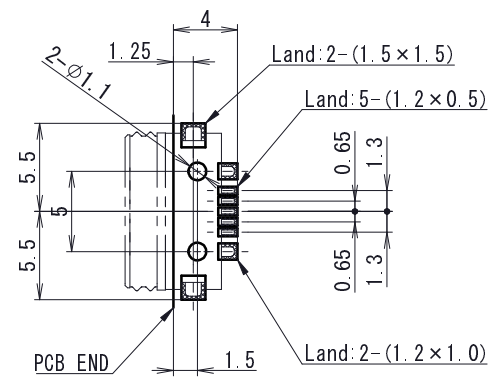
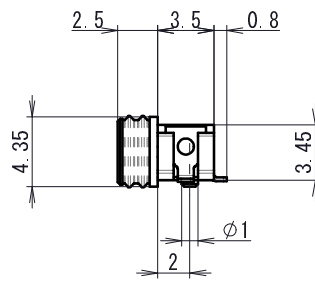
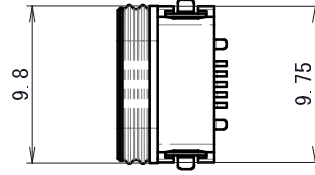
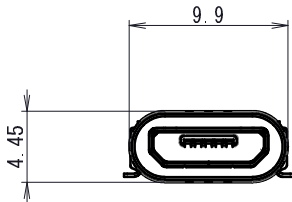


MicroUSB WaterProof Connector

(71-A73) Series



71-A73W0-05BKA



PCB Layout
(Top View)

Part No.	71-A73W0-05BKA
Schematic	