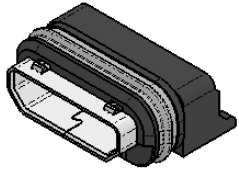
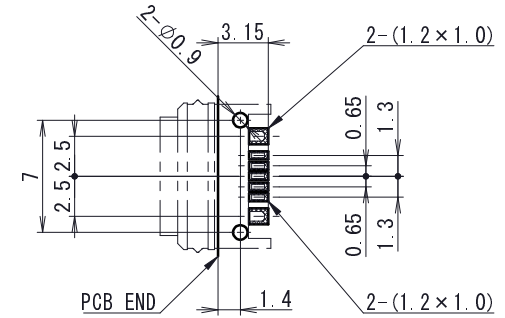
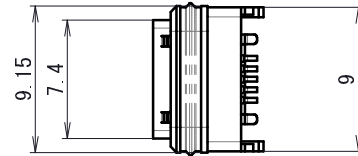


MicroUSB WaterProof Connector

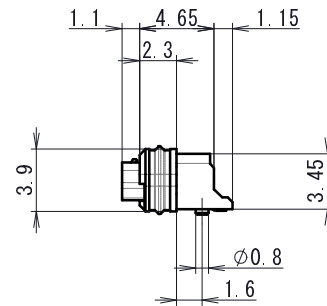
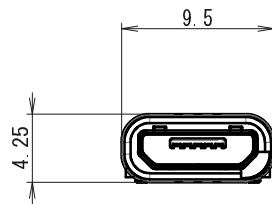
(71-B34) Series



71-B34A0-05BKA



PCB Layout
(Top View)



Part No.	71-B34A0-05BKA
Schematic	