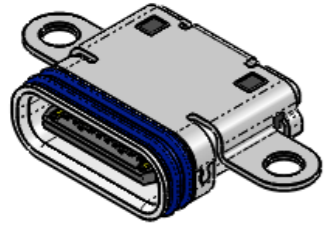
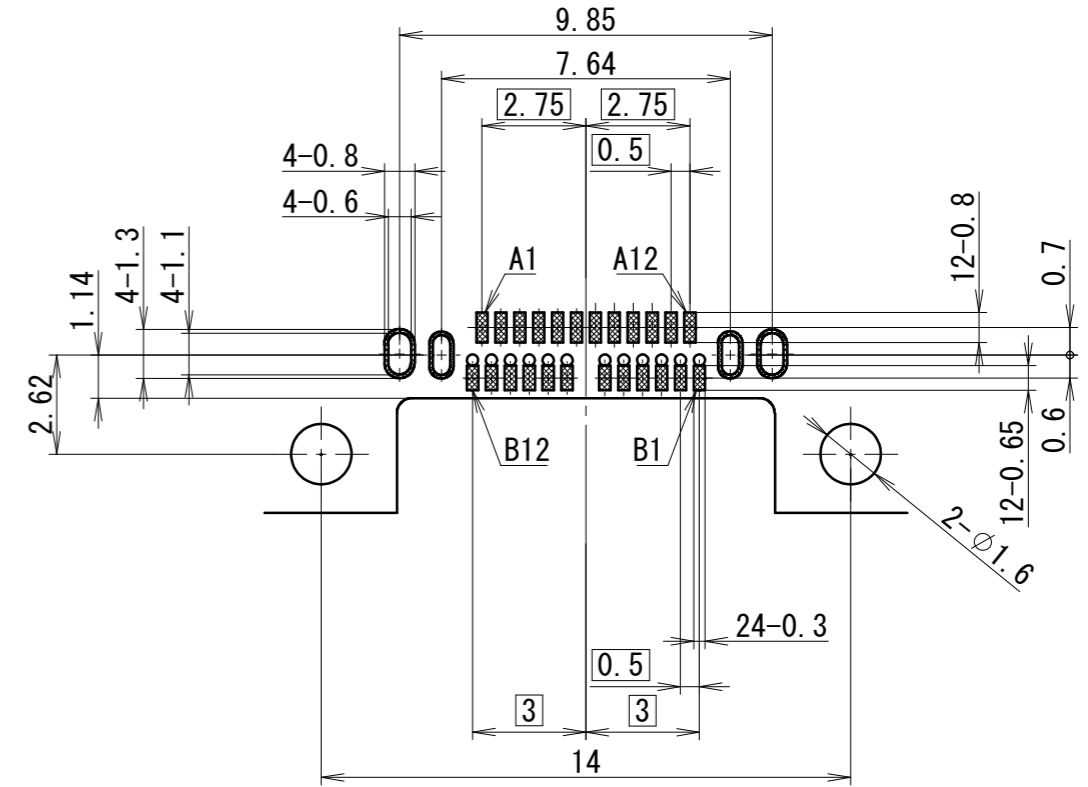
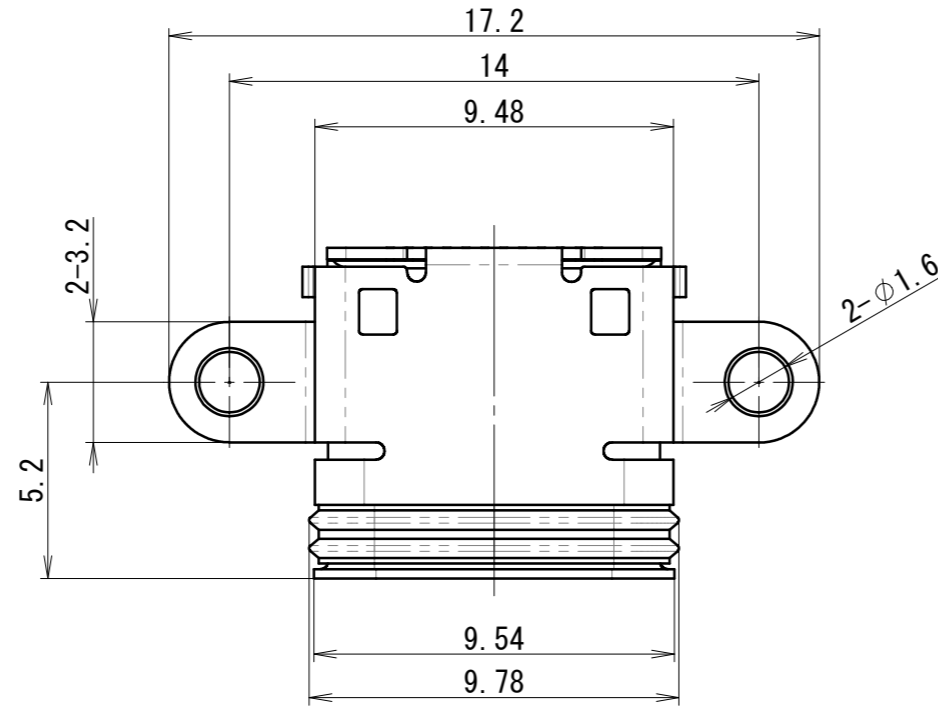


# USB\_Type-C WaterProof Connector

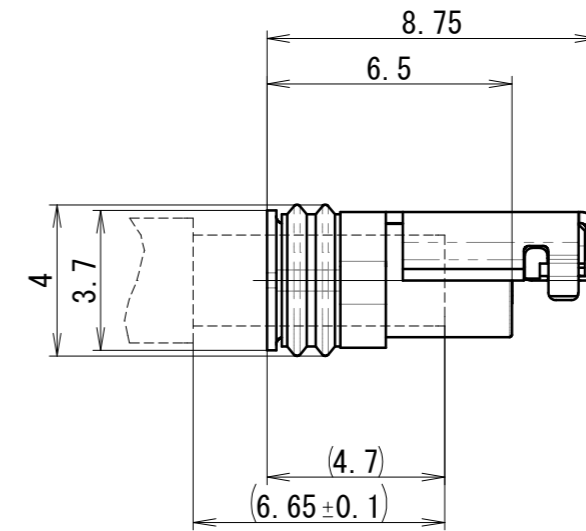
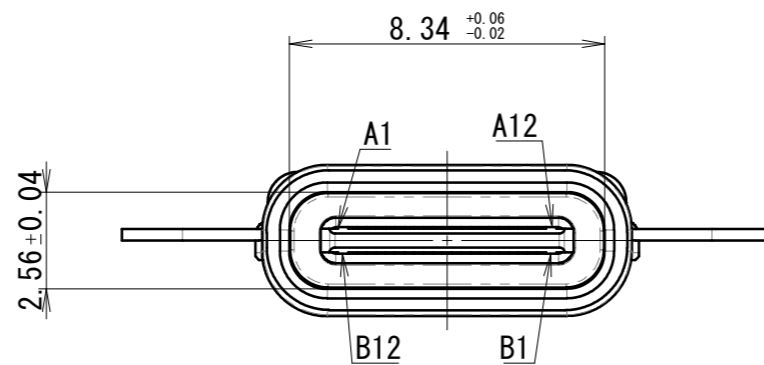
## (71-B55) Series



71-B55A0-12BKA



PCB Layout  
(Top View)

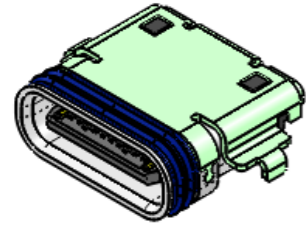


### Schematic

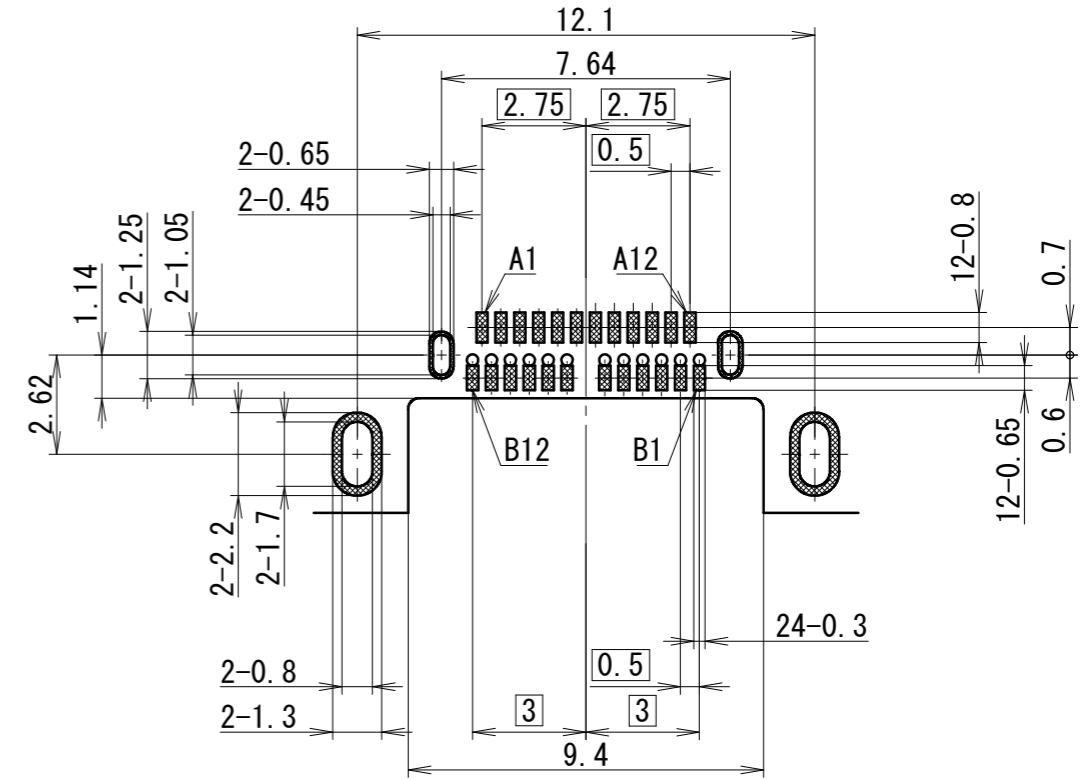
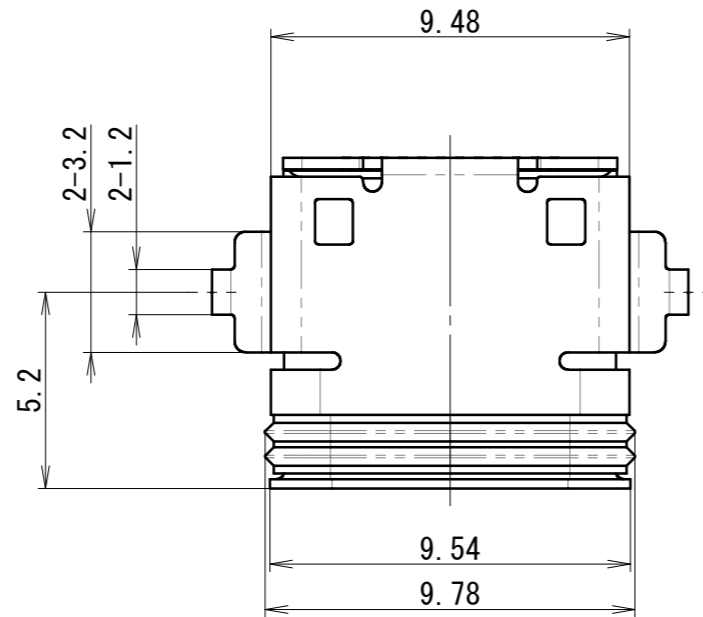
|     |      |      |      |      |    |    |      |      |      |      |     |
|-----|------|------|------|------|----|----|------|------|------|------|-----|
| A1  | A2   | A3   | A4   | A5   | A6 | A7 | A8   | A9   | A10  | A11  | A12 |
| GND | TX1+ | TX1- | VBUS | CC1  | D+ | D- | SBU1 | VBUS | RX2- | RX2+ | GND |
| GND | RX1+ | RX1- | VBUS | SBU2 | D- | D+ | CC2  | VBUS | TX2- | TX2+ | GND |
| B12 | B11  | B10  | B9   | B8   | B7 | B6 | B5   | B4   | B3   | B2   | B1  |

# USB\_Type-C WaterProof Connector

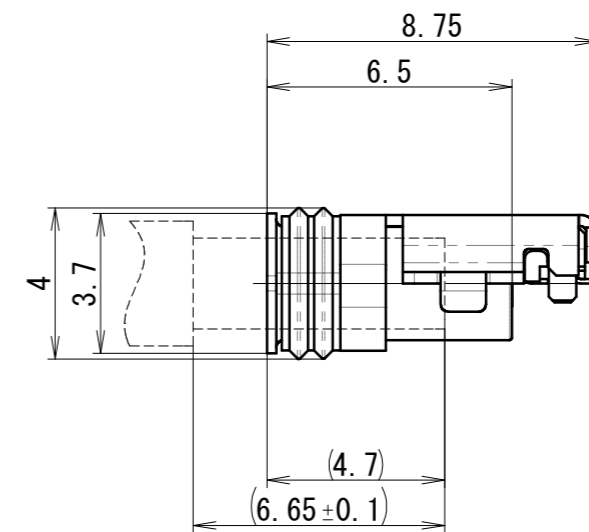
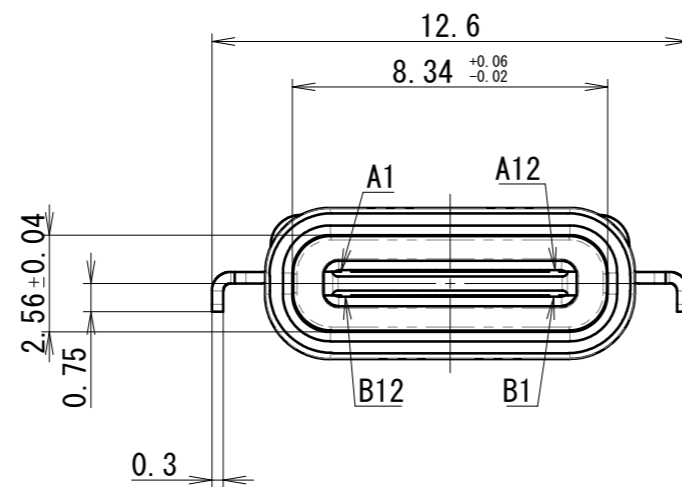
(71-B55) Series



71-B55C0-12BKA



PCB Layout  
(Top View)

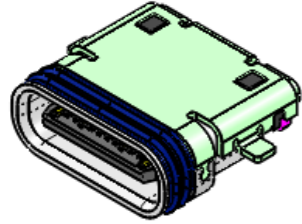


## Schematic

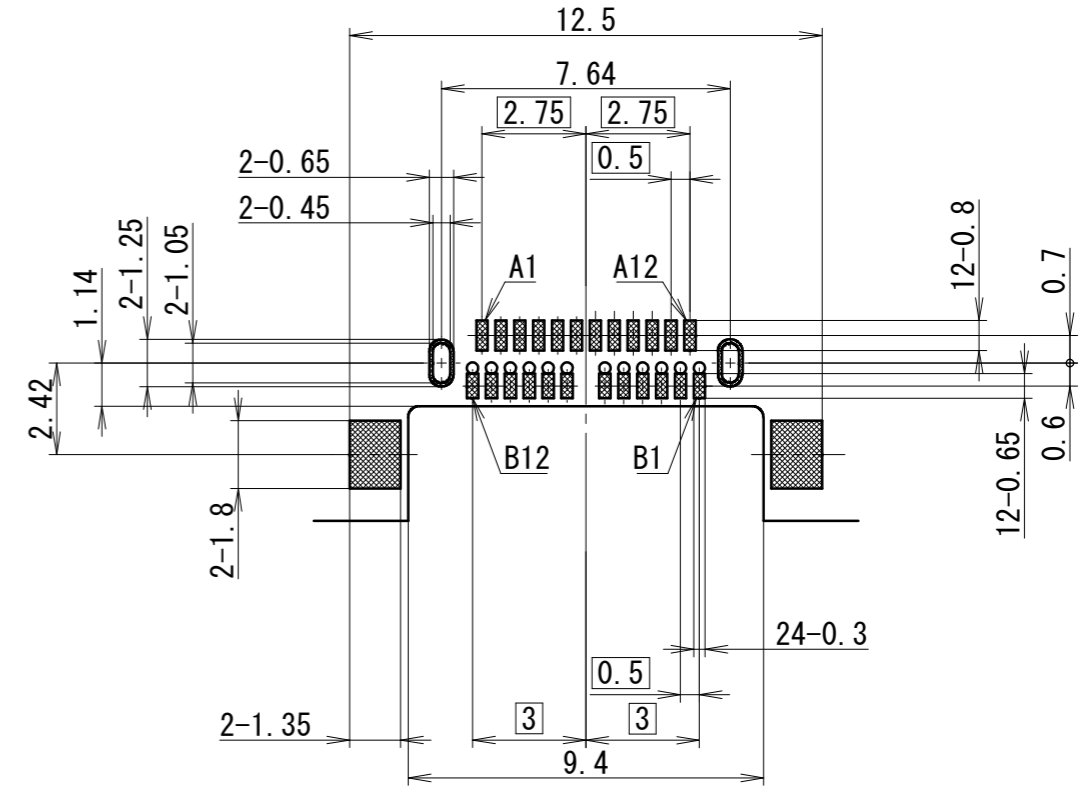
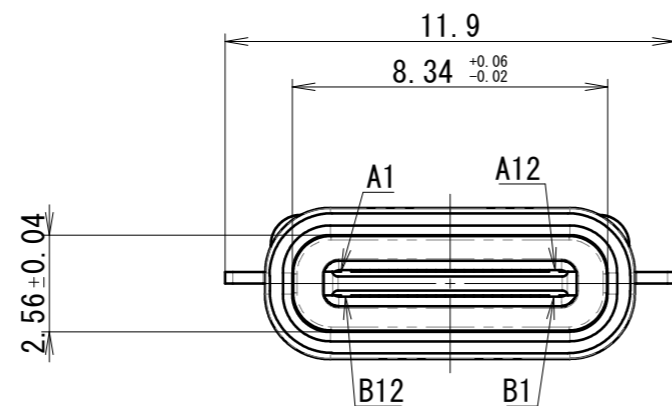
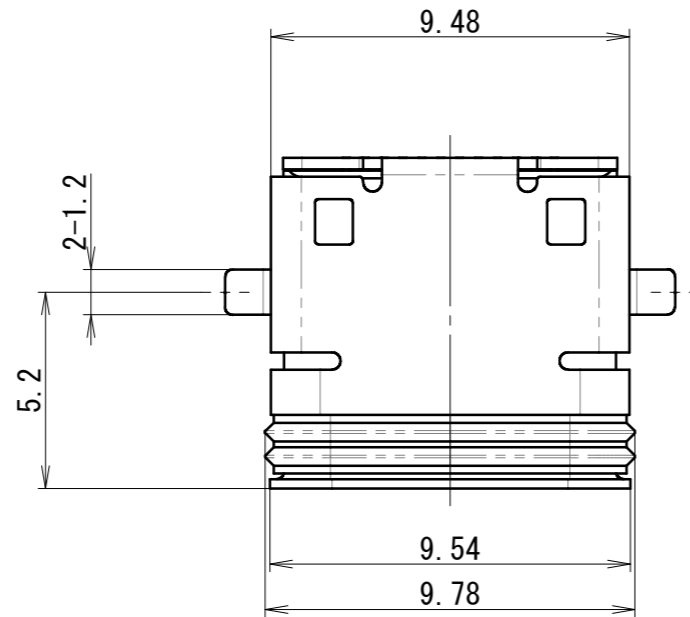
|     |      |      |      |      |    |    |      |      |      |      |     |
|-----|------|------|------|------|----|----|------|------|------|------|-----|
| A1  | A2   | A3   | A4   | A5   | A6 | A7 | A8   | A9   | A10  | A11  | A12 |
| GND | TX1+ | TX1- | VBUS | CC1  | D+ | D- | SBU1 | VBUS | RX2- | RX2+ | GND |
| GND | RX1+ | RX1- | VBUS | SBU2 | D- | D+ | CC2  | VBUS | TX2- | TX2+ | GND |
| B12 | B11  | B10  | B9   | B8   | B7 | B6 | B5   | B4   | B3   | B2   | B1  |

# USB\_Type-C WaterProof Connector

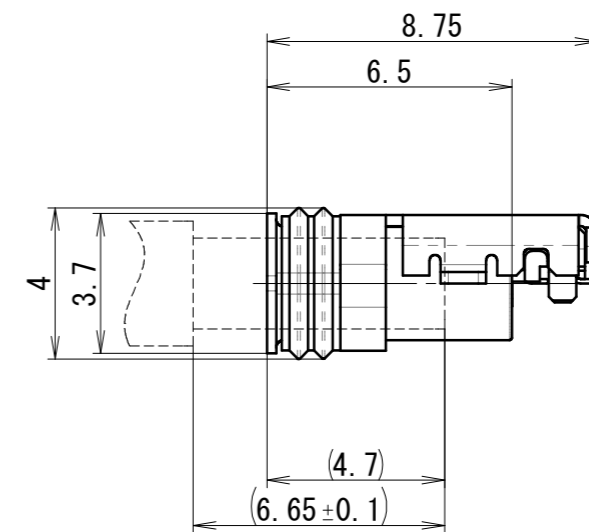
(71-B55) Series



71-B55E0-12BKA



PCB Layout  
(Top View)



## Schematic

|     |      |      |      |      |    |    |      |      |      |      |     |
|-----|------|------|------|------|----|----|------|------|------|------|-----|
| A1  | A2   | A3   | A4   | A5   | A6 | A7 | A8   | A9   | A10  | A11  | A12 |
| GND | TX1+ | TX1- | VBUS | CC1  | D+ | D- | SBU1 | VBUS | RX2- | RX2+ | GND |
| GND | RX1+ | RX1- | VBUS | SBU2 | D- | D+ | CC2  | VBUS | TX2- | TX2+ | GND |
| B12 | B11  | B10  | B9   | B8   | B7 | B6 | B5   | B4   | B3   | B2   | B1  |